



General Features

Description: LED lighting element suitable for lighting walkways, stairs, corridors, and pedestrian bridges.

Insulation class: class III (banister)

Rated voltage: 24 V

Protection Grade: IP65

Impact protection: IK08

Ambient temperature Ta: -30°C +50°C

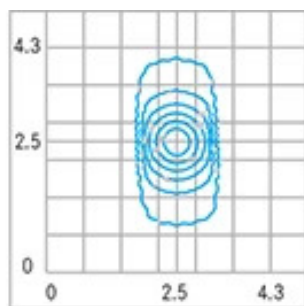
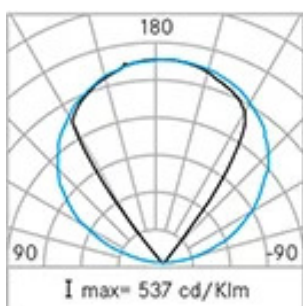
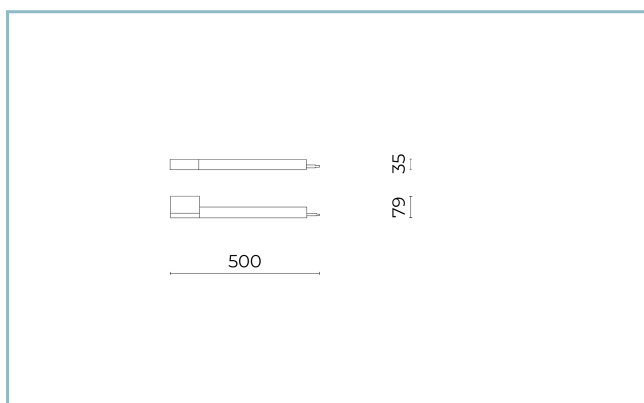
Weight: 0.70 kg

Common mode surge protection: 6 kV

Overvoltage protection differential mode: 10 kV

Driver: remote

Marks and Certifications: CE



Performance Data*

Source flux:	205 lm
Source power:	2.5 W
Source efficiency:	82 lm/W
Device flux:	115 lm
Device power:	2.5 W
Appliance efficiency:	46 lm/W

Product Sheet

Rev. 16/07/2024

Banister Continuos Line

Size: 500

Options: L. 500mm-continuous line

Color Temperature: 3000 K

Type of optics: Adjustable diffused beam

06BA2C4599C

Colour: Sablé 100 Noir

Optical System

Source: LED

Color Temperature: 3000 K

Color Rendering Index (CRI): ≥ 80 Chromatic consistency (SDCM): ≤ 3

Type of optics: Adjustable diffused beam

Optical group life: 60.000 h @ Ta 25°C TM21

Photobiological safety class: EXEMPT GROUP

Normative References

EN60598-1 / EN60598-2-1 / EN62471

Installation and maintenance

Installation: continuous line

Fixing: fixing brackets

Wiring: continuous line connection (remote driver)

Ø power cable: utilizzare cavi bipolari H07RN-F 2x1mm² per il collegamento dal gruppo di alimentazione al primo prodotto

Flow adjustment

On request

Adjusting 1-10V

X

DALI control

X

Materials

Body: extruded aluminium alloy UNI 6060 T5

Fixing system: die-cast aluminium alloy UNI EN AB 47100 (copper content < 1%) brackets

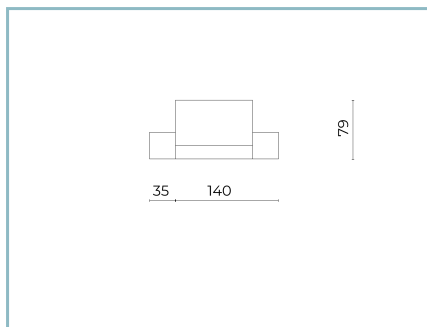
Finish: phospho-chromatation treated and polyester powder-coated in 16 phases to increase weather resistance

Colors

■ Sablé 100 Noir

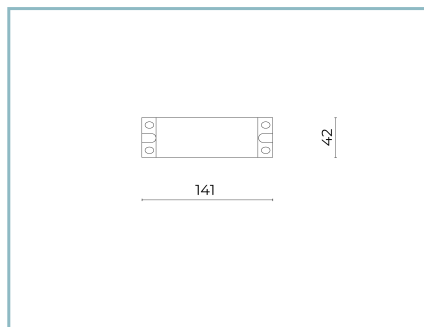
Code: **06BA2C4599C**

Mandatory accessories



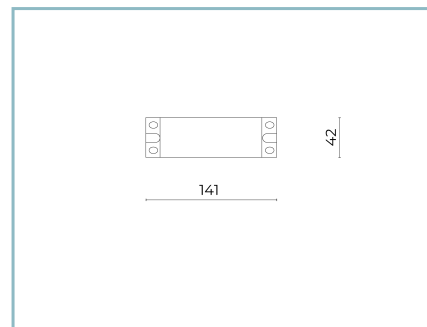
06BA900CO

Kit 2 terminals + 1 bracket
to complete continuous line. Colour:
Sablé 100 Noir.



06TA902X0

Driver
60W-24V IP66



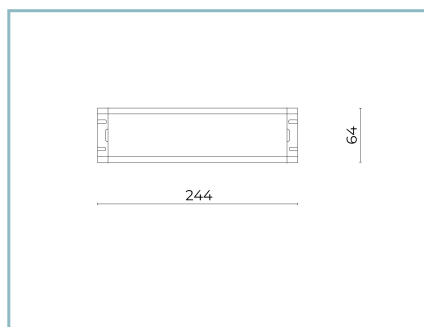
06TA905X0

DALI Driver
75W-24V IP67



06LL914AB0

DALI driver
150W-24V IP67



06LL915AB0

Driver
240W-24V IP67

NOTES

*Performance data

The values indicated in this data sheet are nominal values with a tolerance of +/-7%.

Source flux and source efficiency data refer to the LED module without optics; in case you are interested in the performance of the LED module complete with optical system, you must multiply the data reported by the factor 0.9.

General Data

The characteristics of the product listed may be subject to change and must be confirmed when ordering.

In order to promote constant updating of its products, Cariboni Group reserves the right to make changes without prior notice.