



**General Features**

Description: LED fitting for lighting façades, paths and urban spaces

Insulation class: class II

Rated voltage: 220-240 V 50/60 Hz

Protection Grade: IP66

Impact protection: IK09

Power Factor: > 0.9

Ambient temperature Ta: -25° C + 50° C

Max exposed surface: 0.152 m<sup>2</sup>

Lateral exposed surface: 0.07 m<sup>2</sup>

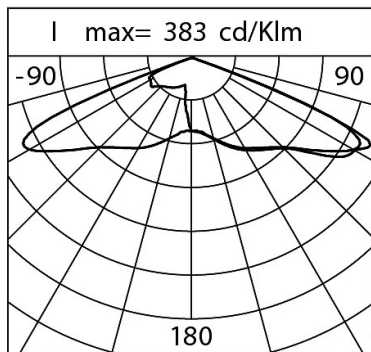
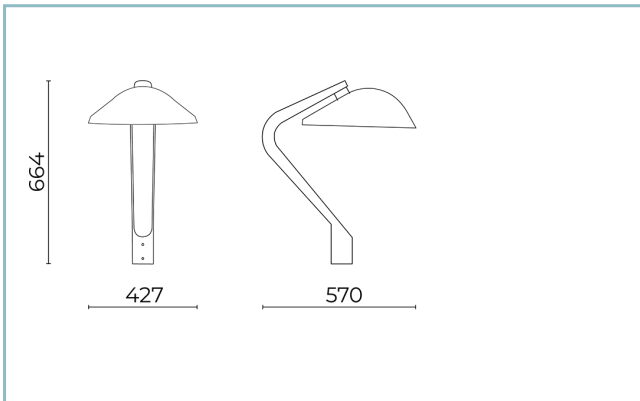
Common mode surge protection: 10 kV

Overvoltage protection differential mode: 10 kV

Driver: included

Driver lifetime: > 100.000 h @Ta 25° C

Marks and Certifications: CE / ENEC



<b>Performance Data*</b>	1800	2200	2700	3000
LED Current:	400 mA	400 mA	400 mA	400 mA
Source flux:	3925 lm	4615 lm	4990 lm	5080 lm
Source power:	28.5 W	28.5 W	28.5 W	28.5 W
Source efficiency:	138 lm/W	162 lm/W	175 lm/W	178 lm/W
Device flux:	3375 lm	3970 lm	4290 lm	4370 lm
Device power:	33.5 W	33.5 W	33.5 W	33.5 W
Appliance efficiency:	101 lm/W	119 lm/W	128 lm/W	130 lm/W
Glare Index Category:	D6	D6	D6	D6

**Product Sheet**

Rev 13.02.25

**Spoon Post Top**

Size: large

Color Temperature: DWL 1800 K - 3000 K

Type of optics: RS-02 Rotosymmetric Beam

**06SP0Q4000424G6DWL**

Colour: Champagne

**Optical System**

Source: LED R2

Color Temperature: DWL 1800 K - 3000 K

Color Rendering Index (CRI): 70

Chromatic consistency (SDCM):  $\leq 3$ 

Type of optics: RS-02 Rotosymmetric Beam

Optical group life: &gt; 100.000 h @ 720mA @ Ta 25° C TM21 L90B10

Photobiological safety class: EXEMPT GROUP

ULOR: 0%

DLOR: 100%

Light intensity category: G\*3

**Normative References**

EN60598-1 :2021 + A11 :2022 / EN60598-2-3 :2003 + A1+2011 / IEC/TR62778 / EN62471 / EN61547

**Installation and maintenance**

Wiring: The product comes with an outgoing cable (L = 200 mm) and plug-socket connector (2P) for quick and easy installation.

Ø power cable: 6 ÷ 11 mm

Cable Gland: PG13,5

Power supply compartment: independent from the optical group

**Materials**

Body: die-cast aluminium alloy UNI EN AB 47100 (copper content &lt; 1%)

Screen: tempered flat glass

Lenses: high-transparency PMMA

Fixing system:

Seals:

Screws:

Wiring plate:

Finish:

**Colors** Champagne

Code:

**06SP0Q4000424G6DWL**

---

**Product Sheet**

Rev 13.02.25

**Spoon Post Top**

Size: large

Color Temperature: DWL 1800 K - 3000 K

Type of optics: RS-02 Rotosymmetric Beam

**06SP0Q4000424G6DWL**Colour: Champagne

---

---

**NOTES****\*Performance data**

The values indicated in this data sheet are nominal values with a tolerance of +/-7%.

Source flux and source efficiency data refer to the LED module without optics; in case you are interested in the performance of the LED module complete with optical system, you must multiply the data reported by the factor 0.9.

**General Data**

The characteristics of the product listed may be subject to change and must be confirmed when ordering.

In order to promote constant updating of its products, Cariboni Group reserves the right to make changes without prior notice.