



### General Features

Description: LED fitting for lighting façades, paths and urban spaces

Insulation class: class II

Rated voltage: 220-240 V 50/60 Hz

Protection Grade: IP66

Impact protection: IK09

Power Factor: > 0.9

Ambient temperature Ta: -25° C + 50° C

Max exposed surface: 0.212 m<sup>2</sup>

Lateral exposed surface: 0.087 m<sup>2</sup>

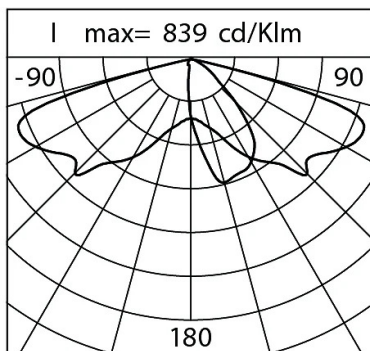
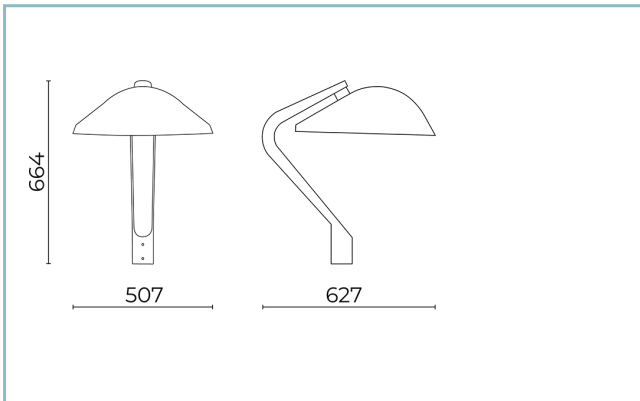
Common mode surge protection: 10 kV

Overtoltage protection differential mode: 10 kV

Driver: included

Driver lifetime: > 100.000 h @Ta 25° C

Marks and Certifications: CE / ENEC



### Performance Data\*

	3000
LED Current:	600 mA
Source flux:	14900 lm
Source power:	82 W
Source efficiency:	182 lm/W
Device flux:	10515 lm
Device power:	89 W
Appliance efficiency:	118 lm/W
Glare Index Category:	D6

**Product Sheet**

Rev 13.02.25

**Spoon Post Top**

Size: x-large

Color Temperature: 3000 K

Type of optics: ST-02 Narrow street

**06SP0R9001514G6HL**

Colour: Champagne

**Optical System**

Source: LED R3

Color Temperature: 3000 K

Color Rendering Index (CRI): 80

Chromatic consistency (SDCM):  $\leq 3$ 

Type of optics: ST-02 Narrow street

Optical group life: &gt; 100.000 h @ 720mA @ Ta 25° C TM21 L90B10

Photobiological safety class: EXEMPT GROUP

ULOR: 0%

DLOR: 100%

Light intensity category: G\*3

**Normative References**

EN60598-1 :2021 + A11 :2022 / EN60598-2-3 :2003 + A1+2011 / IEC/TR62778 / EN62471 / EN61547

**Installation and maintenance**

Wiring: The product comes with an outgoing cable (L = 200 mm) and plug-socket connector (2P) for quick and easy installation.

Ø power cable: 6 ÷ 11 mm

Cable Gland: PG13,5

Power supply compartment: independent from the optical group

**Materials**

Body: die-cast aluminium alloy UNI EN AB 47100 (copper content &lt; 1%)

Screen: tempered flat glass

Lenses: high-transparency PMMA

Fixing system:

Seals:

Screws:

Wiring plate:

Finish:

**Colors**

■ Champagne

Code: **06SP0R9001514G6HL**

---

**Product Sheet**

Rev 13.02.25

**Spoon Post Top**

Size: x-large

Color Temperature: 3000 K

Type of optics: ST-02 Narrow street

**06SP0R9001514G6HL**Colour: Champagne

---

---

**NOTES****\*Performance data**

The values indicated in this data sheet are nominal values with a tolerance of +/-7%.

Source flux and source efficiency data refer to the LED module without optics; in case you are interested in the performance of the LED module complete with optical system, you must multiply the data reported by the factor 0.9.

**General Data**

The characteristics of the product listed may be subject to change and must be confirmed when ordering.

In order to promote constant updating of its products, Cariboni Group reserves the right to make changes without prior notice.