



**General Features**

Description: lantern designed to house the LED technology

Insulation class: class II

Rated voltage: 220-240 V 50 Hz

Protection Grade: IP66

Impact protection: IK08

Surge protection device: integrated 10kV-10kA, Type 3, equipped with LED signaling and thermofusible for disconnection at the end of life; impulse withstand CL II 10kV DM

Power Factor: > 0.90

Ambient temperature Ta: -30°C +50°C

Weight: 8.00 kg

Max exposed surface: 0,19 m<sup>2</sup>

Lateral exposed surface: 0,09 m<sup>2</sup>

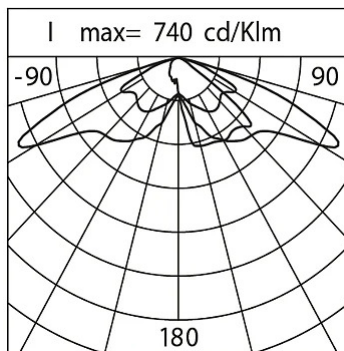
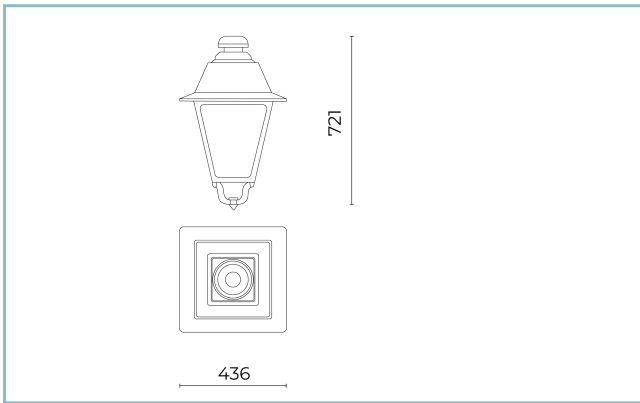
Common mode surge protection: 10 kV

Overvoltage protection differential mode: 10 kV

Driver: included

Driver lifetime: >100.000 h @ Ta 25°C (0,2% / 1000h)

Marks and Certifications: ENEC / CE



Performance Data*	LA-03	LA-03	LA-03	LA-03	LA-03
	1800K	2200K	2700K	3000K	4000K
LED Current:	1050 mA	1050 mA	1050 mA	1050 mA	1050 mA
Source flux:	8695 lm	10710 lm	12280 lm	12500 lm	13295 lm
Source power:	76 W	76 W	76 W	76 W	76 W
Source efficiency:	114 lm/W	141 lm/W	162 lm/W	164 lm/W	175 lm/W
Device flux:	6780 lm	8350 lm	9575 lm	9750 lm	10370 lm
Device power:	83.5 W	83.5 W	83.5 W	83.5 W	83.5 W
Appliance efficiency:	81 lm/W	100 lm/W	115 lm/W	117 lm/W	124 lm/W
Glare Index Category:	D5	D5	D5	D5	D5

### Optical System

Source: LED R3

Color Temperature: DWL 1800 K - 4000 K

Color Rendering Index (CRI):  $\geq 70$

Chromatic consistency (SDCM):  $\leq 3$

Type of optics: LA-03 Wide street

Optical group life:  $>100.000$  h @ Ta 25°C L90B10

Photobiological safety class: EXEMPT GROUP

ULOR: 0%

DLOR: 100%

Light intensity category: G\*4

### Normative References

EN60598-1 / EN60598-2-3 / EN62471 / EN61547

### Installation and maintenance

Installation: arcade

Fixing: arm or chain suspended - standard on arms with a 3/4" female gas attachment; on  $\varnothing 60$  mm arms using the required accessory (code 01AG902C0); fastening system (code 01AG903C0) for catenary suspension system.

$\varnothing$  power cable: 10 ÷ 14 mm

Cable Gland: PG16

Replaceable wiring plate: removable plate

Replaceable optical unit: each LED module is replaceable

Disconnecter: automatic (with terminal section 2.5 mm<sup>2</sup>)

Power supply compartment: independent from the optical system

### Flow adjustment

Standard On request

Virtual Midnight Teaching

X

Constant flow output (CLO)

X

DALI control

X

Power line telemanagement (PLC)

X

Wireless remote management

X

### Materials

Body: die-cast aluminium alloy UNI EN AB 47100 (copper content  $< 1\%$ )

Screen: extra clear tempered flat glass 4 mm

Lenses: high-transparency PMMA

Fixing system: die-cast aluminium alloy UNI EN AB 47100 (copper content  $< 1\%$ )

Seals: expanded anti-age silicone foam

Screws: stainless steel AISI 304

Wiring plate: zinc-plated steel

Finish: phospho-chromatation treated and polyester powder-coated in 16 phases to increase weather resistance

### Colors

■ Sablé 100 Noir

Code: **01AG3D610417CDWL**

---

### Mandatory accessories

---



01AG903C0

Hook for chain suspension

---

### Optional accessories

---



01AG902C0

Fastening adapter 3/4" gas  
for arms UP & DOWN Ø 60 mm.

---

### NOTES

#### \*Performance data

The values indicated in this data sheet are nominal values with a tolerance of +/-7%.

Source flux and source efficiency data refer to the LED module without optics; in case you are interested in the performance of the LED module complete with optical system, you must multiply the data reported by the factor 0.9.

#### General Data

The characteristics of the product listed may be subject to change and must be confirmed when ordering.

In order to promote constant updating of its products, Cariboni Group reserves the right to make changes without prior notice.