

### General Features

Description: Recessed product

Insulation class: class I

Rated voltage: 220-240 V 50/60 Hz

Protection Grade: IP66

Impact protection: IK08

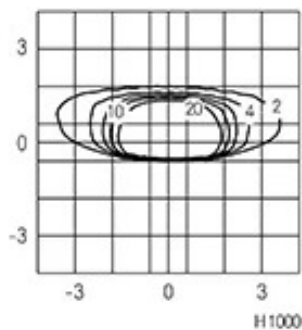
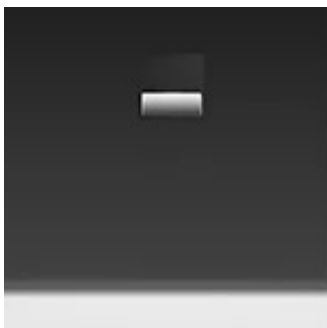
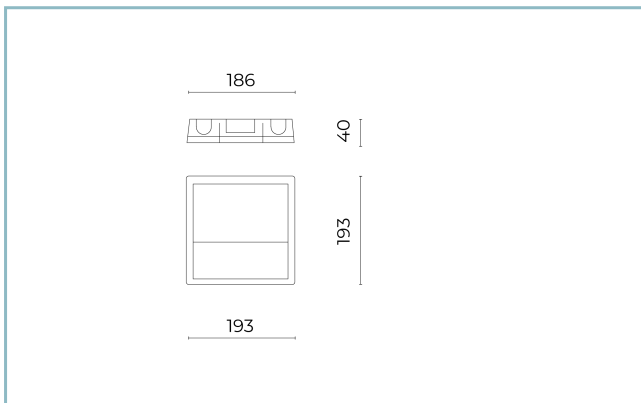
Power Factor: > 0.9

Ambient temperature Ta: -30°C +50°C

Weight: 1.00 kg

Driver: included

Marks and Certifications: CE



### Performance Data\*

LED Current:	500 mA
Source flux:	950 lm
Source power:	6.5 W
Source efficiency:	146 lm/W
Device flux:	290 lm
Device power:	7.5 W
Appliance efficiency:	39 lm/W
Glare Index Category:	D6

---

### Optical System

Source: 8 LED

Color Temperature: 4000 K

Color Rendering Index (CRI):  $\geq 80$

Chromatic consistency (SDCM):  $\leq 3$

Type of optics: AS-D

Optical group life: >60.000h @Ta25°C L80B10

Photobiological safety class: EXEMPT GROUP

### Normative References

EN60598-1 / EN60598-2-3 / EN62471 / EN61547

### Installation and maintenance

Installation: wall recessed

Wiring: rear cable entry, pre-wiring with outgoing cable

### Materials

Body: die-cast aluminium alloy UNI EN AB 47100 (copper content < 1%)

Screen: polycarbonate

Optical Collimator: nylon PA66

Finish: phospho-chromatation treated and polyester powder-coated in 16 phases to increase weather resistance

### Colors

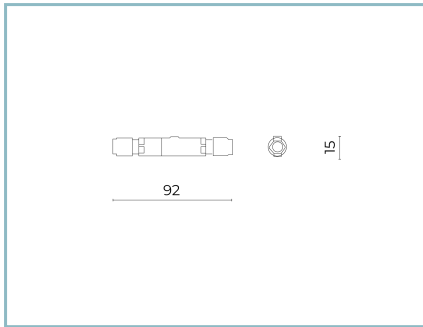
■ Corten

Code: **06APIA84047U**

---

## Mandatory accessories

---



06AP902X0

---

M2 CONNECTOR

IP68 3P CL.I

---

## NOTES

### \*Performance data

The values indicated in this data sheet are nominal values with a tolerance of +/-7%.

Source flux and source efficiency data refer to the LED module without optics; in case you are interested in the performance of the LED module complete with optical system, you must multiply the data reported by the factor 0.9.

### General Data

The characteristics of the product listed may be subject to change and must be confirmed when ordering.

In order to promote constant updating of its products, Cariboni Group reserves the right to make changes without prior notice.