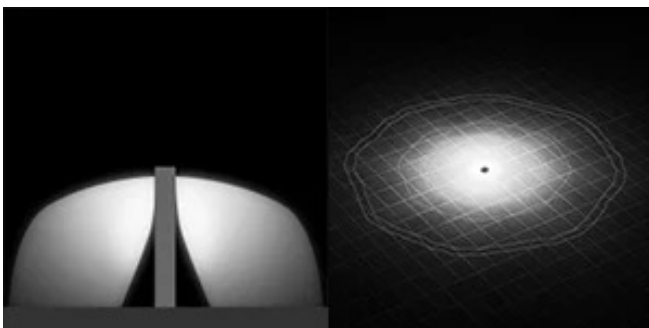
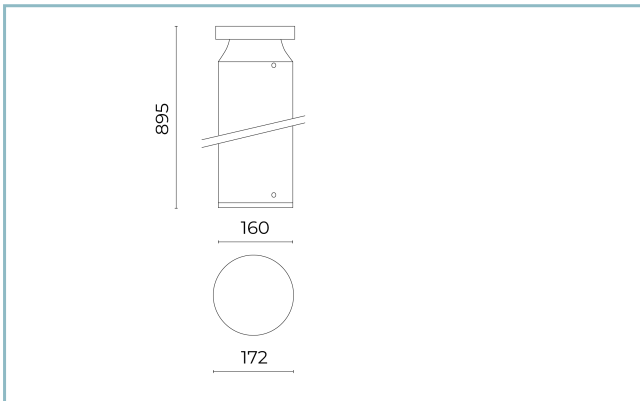




### General Features

|   |                     |
|---|---------------------|
| Description:                              | LED bollard         |
| Insulation class:                         | class II            |
| Rated voltage:                            | 220-240 V 50/60 Hz  |
| Protection Grade:                         | IP66                |
| Impact protection:                        | IK10                |
| Power Factor:                             | > 0.90              |
| Ambient temperature Ta:                   | -30°C +50°C         |
| Weight:                                   | 4.6 kg              |
| Max exposed surface:                      | 0.14 m <sup>2</sup> |
| Lateral exposed surface:                  | 0.14 m <sup>2</sup> |
| Common mode surge protection:             | 10 kV               |
| Overvoltage protection differential mode: | 6 kV                |
| Driver:                                   | included            |
| Marks and Certifications:                 | CE                  |



### Performance Data\*

|                       |          |
|-----------------------|----------|
| LED Current:          | 540 mA   |
| Source flux:          | 2085 lm  |
| Source power:         | 10 W     |
| Source efficiency:    | 209 lm/W |
| Device flux:          | 1000 lm  |
| Device power:         | 12 W     |
| Appliance efficiency: | 83 lm/W  |

---

### Optical System

Source: LED

Color Temperature: 4000 K

Color Rendering Index (CRI):  $\geq 80$

Chromatic consistency (SDCM):  $\leq 3$

Type of optics: RS-D 360° Rotosymmetric diffused beam

Optical group life:  $>100.000\text{h}$  @Ta25°C L80B10

Photobiological safety class: EXEMPT GROUP

ULOR: 0%

DLOR: 100%

### Normative References

EN60598-1 / EN60598-2-3 / EN62471 / EN61547

### Installation and maintenance

Installation: ground

Ø power cable: 7 ÷ 13.5 mm

Cable Gland: PG16

---

### Flow adjustment

Standard

DALI control

X

---

### Materials

Body: body, collimator and fixing base in die-cast aluminum alloy UNI EN AB 47100 (copper content  $< 1\%$ ); stem pole in extruded aluminium alloy

Lenses: wide opal polycarbonate

Seals: expanded anti-age silicone foam

Screws: stainless steel

Finish: phospho-chromatation treated and polyester powder-coated in 16 phases to increase weather resistance

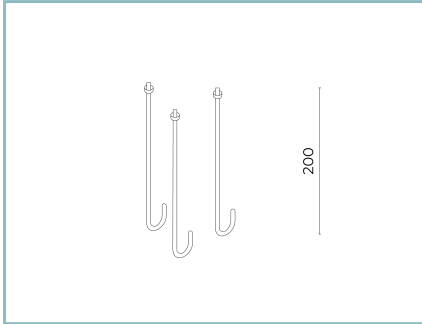
---

### Colors

■ Sablé 100 Noir

Code: **06BM3E2800CHL**

## Optional accessories



06PY999X0

Anchoring bolts kit  
L=200 mm.

## NOTES

### \*Performance data

The values indicated in this data sheet are nominal values with a tolerance of +/-7%.

Source flux and source efficiency data refer to the LED module without optics; in case you are interested in the performance of the LED module complete with optical system, you must multiply the data reported by the factor 0.9.

### General Data

The characteristics of the product listed may be subject to change and must be confirmed when ordering.

In order to promote constant updating of its products, Cariboni Group reserves the right to make changes without prior notice.