



General Features

Description: wall/ground-mounted product

Insulation class: class II

Rated voltage: 220-240 V 50/60 Hz

Protection Grade: IP65

Impact protection: IK10

Power Factor: > 0.90

Ambient temperature Ta: -30°C +50°C

Weight: 0.8 kg

Max exposed surface: 0.015 m²

Lateral exposed surface: 0.015 m²

Driver: included

Marks and Certifications: CE



Performance Data*

LED Current:	350 mA
Source flux:	1100 lm
Source power:	5.8 W
Source efficiency:	190 lm/W
Device flux:	500 lm
Device power:	7.6 W
Appliance efficiency:	66 lm/W

Product Sheet

29/12/2023

Bamboo mini Grazer

Color Temperature: 4000 K

Type of optics: RS-D 360° Rotosymmetric Diffused Beam

06BM0C4300A

Colour: Grey RAL9006

Optical System

Source: LED

Color Temperature: 4000 K

Color Rendering Index (CRI): ≥ 80 Chromatic consistency (SDCM): ≤ 3

Type of optics: RS-D 360° Rotosymmetric Diffused Beam

Optical group life: >100.000h @Ta25°C L80B10

Photobiological safety class: EXEMPT GROUP

ULOR: 0%

DLOR: 100%

Normative References

EN60598-1 / EN60598-2-3 / EN62471 / EN61547

Installation and maintenance

Installation: wall, ground

Ø power cable: 3 ÷ 7 mm

Cable Gland: M12

Materials

Body: body, collimator and fixing base in die-cast aluminum alloy UNI EN AB 47100 (copper content < 1%)

Lenses: wide opal polycarbonate

Seals: expanded anti-age silicone foam

Screws: stainless steel

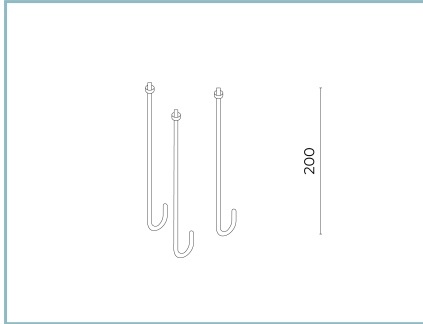
Finish: phospho-chromatation treated and polyester powder-coated in 16 phases to increase weather resistance

Colors

■ Grey RAL9006

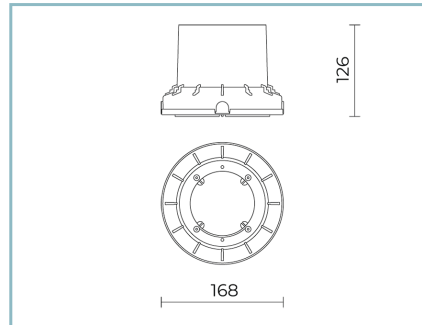
Code: **06BM0C4300A**

Optional accessories



06PY999X0

Anchoring bolts kit
L=200 mm.



06BM901B0

B235 Recessed housing
made of polypropylene. Colour: black
RAL9005.

NOTES

*Performance data

The values indicated in this data sheet are nominal values with a tolerance of +/-7%.

Source flux and source efficiency data refer to the LED module without optics; in case you are interested in the performance of the LED module complete with optical system, you must multiply the data reported by the factor 0.9.

General Data

The characteristics of the product listed may be subject to change and must be confirmed when ordering.

In order to promote constant updating of its products, Cariboni Group reserves the right to make changes without prior notice.