

### General Features

Description: wall/ground-mounted product

Insulation class: class III

Rated voltage: 24 Vdc

Protection Grade: IP65

Impact protection: IK10

Power Factor: > 0.90

Ambient temperature Ta: -30°C +50°C

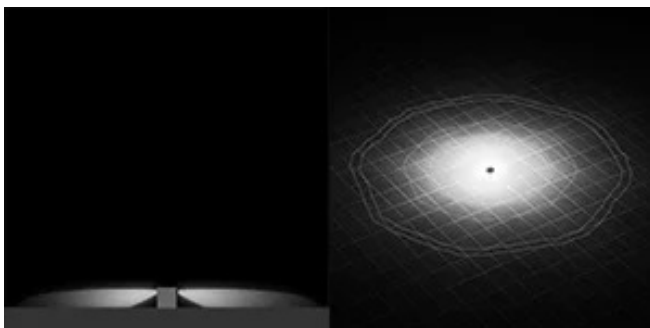
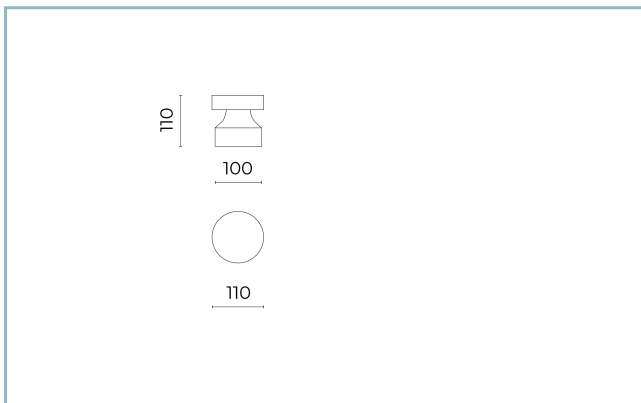
Weight: 0.8 kg

Max exposed surface: 0.015 m<sup>2</sup>

Lateral exposed surface: 0.015 m<sup>2</sup>

Driver: remote

Marks and Certifications: CE



### Performance Data\*

LED Current:	350 mA
Source flux:	1040 lm
Source power:	5.8 W
Source efficiency:	179 lm/W
Device flux:	475 lm
Device power:	7.6 W
Appliance efficiency:	63 lm/W

**Product Sheet**

29/12/2023

**Bamboo mini Grazer**

Color Temperature: 3000 K

Type of optics: RS-D 360° Rotosymmetric Diffused Beam

**06BM0C4390CV**

Colour: Sablé 100 Noir

**Optical System**

Source: LED

Color Temperature: 3000 K

Color Rendering Index (CRI):  $\geq 80$ Chromatic consistency (SDCM):  $\leq 3$ 

Type of optics: RS-D 360° Rotosymmetric Diffused Beam

Optical group life: &gt;100.000h @Ta25°C L80B10

Photobiological safety class: EXEMPT GROUP

ULOR: 0%

DLOR: 100%

**Normative References**

EN60598-1 / EN60598-2-3 / EN62471 / EN61547

**Installation and maintenance**

Installation: wall, ground

Ø power cable: 3 ÷ 7 mm

Cable Gland: M12

**Materials**

Body: body, collimator and fixing base in die-cast aluminum alloy UNI EN AB 47100 (copper content &lt; 1%)

Lenses: wide opal polycarbonate

Seals: expanded anti-age silicone foam

Screws: stainless steel

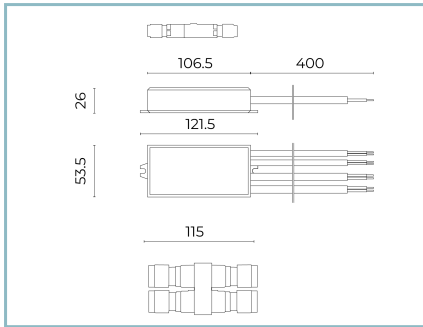
Finish: phospho-chromatation treated and polyester powder-coated in 16 phases to increase weather resistance

**Colors**

■ Sablé 100 Noir

Code: **06BM0C4390CV**

## Mandatory accessories

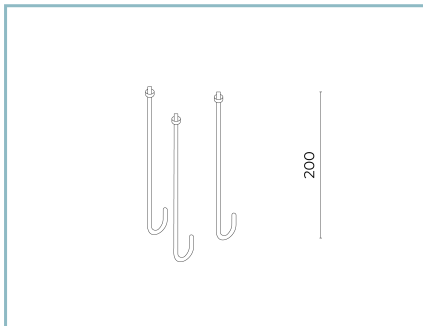


06BM902X0

D8 Driver Kit

D8 DALI Electronic Driver Kit

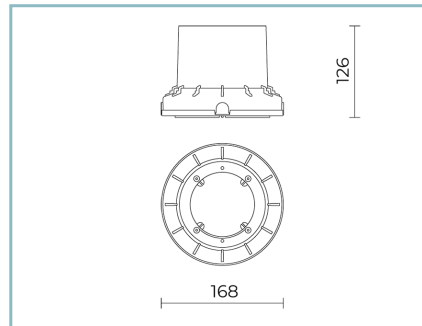
## Optional accessories



06PY999X0

Anchoring bolts kit

L=200 mm.



06BM901B0

B235 Recessed housing

made of polypropylene. Colour: black  
RAL9005.

## NOTES

### \*Performance data

The values indicated in this data sheet are nominal values with a tolerance of +/-7%.

Source flux and source efficiency data refer to the LED module without optics; in case you are interested in the performance of the LED module complete with optical system, you must multiply the data reported by the factor 0.9.

### General Data

The characteristics of the product listed may be subject to change and must be confirmed when ordering.

In order to promote constant updating of its products, Cariboni Group reserves the right to make changes without prior notice.