



### General Features

Description: ceiling/Ground-mounted product

Insulation class: class I

Rated voltage: 230 V 50 Hz

Protection Grade: IP65

Impact protection: IK06

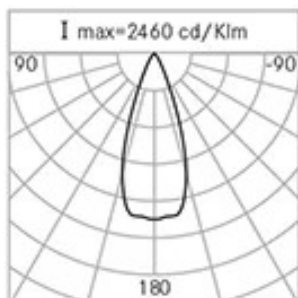
Power Factor: > 0.90

Ambient temperature Ta: -30°C +50°C

Weight: 3.00 kg

Driver: included

Marks and Certifications: CE



H (m)	Ø (m)	Em(lux)
5	3,54	47
4	2,84	73
3	2,13	92
2	1,41	293
1	0,71	1175

### Performance Data\*

LED Current:	500 mA
Source flux:	1460 lm
Source power:	14 W
Source efficiency:	104 lm/W
Device flux:	1050 lm
Device power:	16 W
Appliance efficiency:	66 lm/W

**Product Sheet**

Rev. 24/07/2024

**Cube Floodlight**

Size: medium  
Color Temperature: 3000 K  
Type of optics: D 40° Wide beam

**06LC3A9495A**

Colour: Grey RAL9006

**Optical System**

Source: 9 LED

Color Temperature: 3000 K

Color Rendering Index (CRI):  $\geq 80$ Chromatic consistency (SDCM):  $\leq 3$ 

Type of optics: D 40° Wide beam

Optical group life: &gt;60.000h @Ta25°C L80B10

**Normative References**

EN60598-1 / EN60598-2-1 / EN62471

**Installation and maintenance**

Installation: wall / ground

Tilt: angular adjustment (with junction accessory kit)

Fixing: screw anchors

Ø power cable: 8 ÷ 13 mm

Cable gland: M20

Disconnecter: automatic

**Materials**

Body: die-cast aluminium alloy UNI EN AB 47100 (copper content &lt; 1%)

Screen: tempered flat glass

Lenses: PMMA

Seals: extruded anti-age silicone

Screws: stainless steel AISI 304

Finish: phospho-chromatation treated and polyester powder-coated in 16 phases to increase weather resistance

**Colors**

■ Grey RAL9006

Code: **06LC3A9495A**

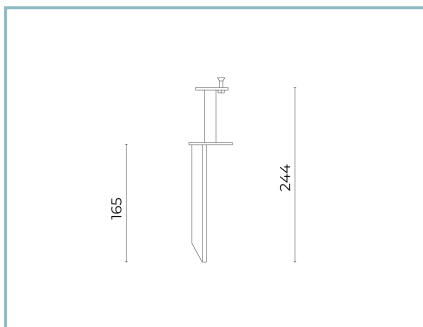
### Mandatory accessories



06LC2901A

Articulated joint for CUBE MEDIUM for wall mounting. Colour: grey RAL9006.

### Optional accessories



06LC901C0

Spike for ground installation CUBE MEDIUM.  
Colour: Sablé 100 Noir.

### NOTES

#### \*Performance data

The values indicated in this data sheet are nominal values with a tolerance of +/-7%.

Source flux and source efficiency data refer to the LED module without optics; in case you are interested in the performance of the LED module complete with optical system, you must multiply the data reported by the factor 0.9.

#### General Data

The characteristics of the product listed may be subject to change and must be confirmed when ordering.

In order to promote constant updating of its products, Cariboni Group reserves the right to make changes without prior notice.