

### General Features

Description: ceiling/Ground-mounted product

Insulation class: class I

Rated voltage: 230 V 50 Hz

Protection Grade: IP65

Impact protection: IK06

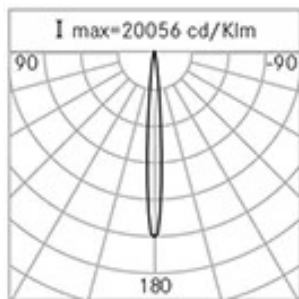
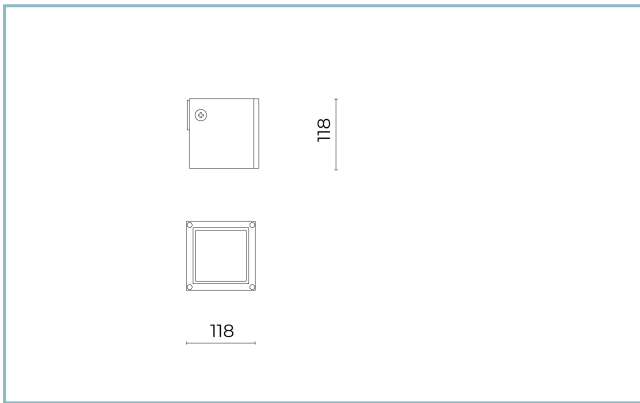
Power Factor: > 0.90

Ambient temperature Ta: -30°C +50°C

Weight: 1.50 kg

Driver: included

Marks and Certifications: CE



H (m)	Ø (m)	Em(lux)
5	0,93	218
4	0,74	340
3	0,56	605
2	0,37	1362
1	0,19	5448

### Performance Data\*

LED Current:	500 mA
Source flux:	695 lm
Source power:	6 W
Source efficiency:	116 lm/W
Device flux:	500 lm
Device power:	7 W
Appliance efficiency:	71 lm/W

---

### Optical System

Source: 4 LED

Color Temperature: 4000 K

Color Rendering Index (CRI):  $\geq 80$

Chromatic consistency (SDCM):  $\leq 3$

Type of optics: C 8° Narrow beam

Optical group life:  $>60.000\text{h}$  @Ta25°C L80B10

### Normative References

EN60598-1 / EN60598-2-1 / EN62471

### Installation and maintenance

Installation: wall / ground

Tilt: angular adjustment (with junction accessory kit)

Fixing: screw anchors

Ø power cable:  $8 \div 13$  mm

Cable gland: M20

Disconnecter: automatic

### Materials

Body: die-cast aluminium alloy UNI EN AB 47100 (copper content  $< 1\%$ )

Screen: tempered flat glass

Lenses: PMMA

Seals: extruded anti-age silicone

Screws: stainless steel AISI 304

Finish: phospho-chromatation treated and polyester powder-coated in 16 phases to increase weather resistance

### Colors

■ Grey RAL9006

Code: **06LC1A4404A**

---

**Product Sheet**

Rev. 24/07/2024

**Cube Wall-Mounted**

Size: small

Color Temperature: 4000 K

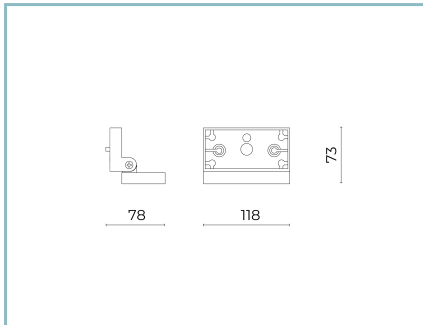
Type of optics: C 8° Narrow beam

**06LC1A4404A**Colour: Grey RAL9006

---

**Optional accessories**

---



06LC1901A

---

Articulated joint for CUBE SMALL  
for wall mounting. Colour: grey  
RAL9006.

---

**NOTES****\*Performance data**

The values indicated in this data sheet are nominal values with a tolerance of +/-7%.

Source flux and source efficiency data refer to the LED module without optics; in case you are interested in the performance of the LED module complete with optical system, you must multiply the data reported by the factor 0.9.

**General Data**

The characteristics of the product listed may be subject to change and must be confirmed when ordering.

In order to promote constant updating of its products, Cariboni Group reserves the right to make changes without prior notice.