



General Features

- Description: LED luminaire for lighting streets, paths and urban spaces
- Insulation class: class II
- Rated voltage: 220-240 V / 50-60 Hz
- Protection Grade: IP66
- Impact protection: IK09
- Surge protection device: integrated 10kV-10kA
- Power Factor: > 0.95
- Ambient temperature Ta: -30°C +50°C
- Weight: 6.7 kg
- Max exposed surface: 0.172 m²
- Lateral exposed surface: 0.051 m²
- Common mode surge protection: 10 kV
- Overvoltage protection differential mode: 12 kV
- Driver: included
- Driver lifetime: F10 >100.000h @Ta25°C
- Marks and Certifications: ENEC / CE

Performance Data*	1800	2200	2700	3000	4000
LED Current:	400 mA	400 mA	400 mA	400 mA	400 mA
Source flux:	3925 lm	4615 lm	4990 lm	5080 lm	5400 lm
Source power:	28.5 W	28.5 W	28.5 W	28.5 W	28.5 W
Source efficiency:	138 lm/W	162 lm/W	175 lm/W	178 lm/W	189 lm/W
Device flux:	3375 lm	3970 lm	4290 lm	4370 lm	4645 lm
Device power:	33.5 W	33.5 W	33.5 W	33.5 W	33.5 W
Appliance efficiency:	101 lm/W	119 lm/W	128 lm/W	130 lm/W	139 lm/W
Glare Index Category:	D6	D6	D5	D5	D5

Product Sheet

30/01/25

Dasos Wall

Size: small

Color Temperature: DWL 1800 K - 4000 K

Type of optics: LT-63 Asymmetric beam

DAIC44AE740152CCDW00

Colour: Sablé 100 Noir

Optical System

Source: LED R2

Color Temperature: DWL 1800 K - 4000 K

Color Rendering Index (CRI): 70

Chromatic consistency (SDCM): ≤ 3

Type of optics: LT-63 Asymmetric beam

Optical group life: >100.000 h @ Ta 25°C L90B10

Photobiological safety class: EXEMPT GROUP

ULOR: 0

DLOR: 1

Light intensity category: G*6

Normative ReferencesEN60598-1, EN60598-2-3, EN61547; EN62471, EN55015,
EN61000-3-2, EN61000-3-3**Installation and maintenance**

Installation: wall / pole side

Pole diameter: \varnothing 60 - 76 - 89 - 102 - 114 - 120 mm \varnothing power cable: 10 \div 14 mm

Cable Gland: PG16

Power supply compartment: independent from the
optical group**Flow adjustment**

Standard

Arrangement for Zhaga connector (Book 18)

X

MaterialsBody: aluminum alloy die casting UNI EN AB 47100
(copper content < 1%)

Screen: 4 mm acid-etched tempered flat glass

Lenses: PMMA with high transparency

Seals: anti-aging silicone

Screws: INOX

Finish: phosphochromating and polyester powder coating
made in 16 steps for the best weathering resistance**Colors**

■ Sablé 100 Noir

Code:

DAIC44AE740152CCDW00

Product Sheet

30/01/25

Dasos Wall

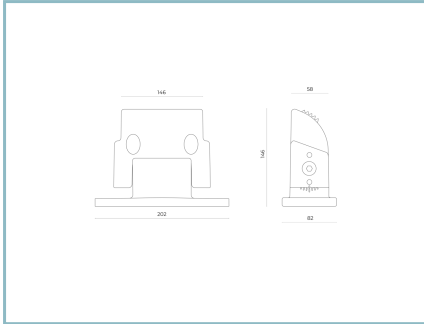
Size: small

Color Temperature: DWL 1800 K - 4000 K

Type of optics: LT-63 Asymmetric beam

DAIC44AE740152CCDW00

Colour: Sablé 100 Noir

Mandatory accessories

DA9013CC

Dasos swivel joint

NOTES***Performance data**

The values indicated in this data sheet are nominal values with a tolerance of +/-7%.

Source flux and source efficiency data refer to the LED module without optics; in case you are interested in the performance of the LED module complete with optical system, you must multiply the data reported by the factor 0.9.

General Data

The characteristics of the product listed may be subject to change and must be confirmed when ordering.

In order to promote constant updating of its products, Cariboni Group reserves the right to make changes without prior notice.