



General Features

- Description: LED luminaire for lighting streets, paths and urban spaces
- Insulation class: class II
- Rated voltage: 220-240 V / 50-60 Hz
- Protection Grade: IP66
- Impact protection: IK09
- Surge protection device: integrated 10kV-10kA
- Power Factor: > 0.95
- Ambient temperature Ta: -30°C +50°C
- Weight: 6.7 kg
- Max exposed surface: 0.172 m²
- Lateral exposed surface: 0.051 m²
- Common mode surge protection: 10 kV
- Overvoltage protection differential mode: 12 kV
- Driver: included
- Driver lifetime: F10 >100.000h @Ta25°C
- Marks and Certifications: ENEC / CE

Performance Data*	1800	2200	2700	3000	4000
LED Current:	700 mA	700 mA	700 mA	700 mA	700 mA
Source flux:	6140 lm	7220 lm	7795 lm	7940 lm	8450 lm
Source power:	50.3 W	50.3 W	50.3 W	50.3 W	50.3 W
Source efficiency:	122 lm/W	144 lm/W	155 lm/W	158 lm/W	168 lm/W
Device flux:	5280 lm	6210 lm	6705 lm	6830 lm	7265 lm
Device power:	57 W	57 W	57 W	57 W	57 W
Appliance efficiency:	93 lm/W	109 lm/W	118 lm/W	120 lm/W	127 lm/W
Glare Index Category:	D5	D5	D5	D5	D5

Product Sheet

30/01/25

Dasos Wall

Size: small

Color Temperature: DWL 1800 K - 4000 K

Type of optics: LT-63 Asymmetric beam

DAIC44AE770152CCDW00

Colour: Sablé 100 Noir

Optical System

Source: LED R2

Color Temperature: DWL 1800 K - 4000 K

Color Rendering Index (CRI): 70

Chromatic consistency (SDCM): ≤ 3

Type of optics: LT-63 Asymmetric beam

Optical group life: >100.000 h @ Ta 25°C L90B10

Photobiological safety class: EXEMPT GROUP

ULOR: 0

DLOR: 1

Light intensity category: G*6

Normative ReferencesEN60598-1, EN60598-2-3, EN61547; EN62471, EN55015,
EN61000-3-2, EN61000-3-3**Installation and maintenance**

Installation: wall / pole side

Pole diameter: \varnothing 60 - 76 - 89 - 102 - 114 - 120 mm \varnothing power cable: 10 \div 14 mm

Cable Gland: PG16

Power supply compartment: independent from the
optical group**Flow adjustment**

Standard

Arrangement for Zhaga connector (Book 18)

X

MaterialsBody: aluminum alloy die casting UNI EN AB 47100
(copper content < 1%)

Screen: 4 mm acid-etched tempered flat glass

Lenses: PMMA with high transparency

Seals: anti-aging silicone

Screws: INOX

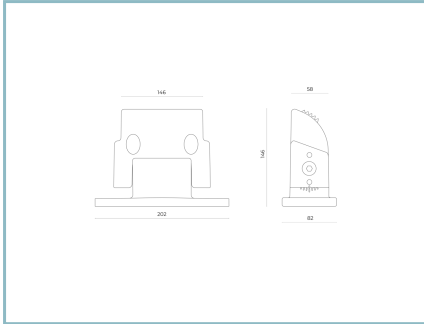
Finish: phosphochromating and polyester powder coating
made in 16 steps for the best weathering resistance**Colors**

■ Sablé 100 Noir

Code:

DAIC44AE770152CCDW00

Mandatory accessories



DA9013CC

Dasos swivel joint

NOTES

*Performance data

The values indicated in this data sheet are nominal values with a tolerance of +/-7%.

Source flux and source efficiency data refer to the LED module without optics; in case you are interested in the performance of the LED module complete with optical system, you must multiply the data reported by the factor 0.9.

General Data

The characteristics of the product listed may be subject to change and must be confirmed when ordering.

In order to promote constant updating of its products, Cariboni Group reserves the right to make changes without prior notice.