

General Features

Description: LED luminaire for lighting streets, paths and urban spaces

Insulation class: class II

Rated voltage: 220-240 V / 50-60 Hz

Protection Grade: IP66

Impact protection: IK09

Surge protection device: integrated 10kV-10kA

Power Factor: > 0.95

Ambient temperature Ta: -30°C +50°C

Weight: 6.7 kg

Max exposed surface: 0.172 m²

Lateral exposed surface: 0.051 m²

Common mode surge protection: 10 kV

Overvoltage protection differential mode: 12 kV

Driver: included

Driver lifetime: F10 >100.000h @Ta25°C

Marks and Certifications: ENEC / CE

Performance Data*	1800	2200	2700	3000
LED Current:	900 mA	900 mA	900 mA	900 mA
Source flux:	2305 lm	2725 lm	3095 lm	3430 lm
Source power:	20.2 W	20.2 W	20.2 W	20.2 W
Source efficiency:	114 lm/W	135 lm/W	153 lm/W	170 lm/W
Device flux:	1360 lm	1410 lm	1450 lm	1605 lm
Device power:	24 W	24 W	24 W	24 W
Appliance efficiency:	57 lm/W	59 lm/W	60 lm/W	67 lm/W
Glare Index Category:	D6	D6	D6	D6

Product Sheet
30/01/25

Dasos Wall
Size: small
Color Temperature: DWL 1800 K - 3000 K
Type of optics: BLOS Asymmetric Black

DA1084BDV90D32CCDW00
Colour: Sablé 100 Noir

Optical System

Source: LED O8

Color Temperature: DWL 1800 K - 3000 K

Color Rendering Index (CRI): 70

Chromatic consistency (SDCM): ≤ 3

Type of optics: BLOS Asymmetric Black

Optical group life: >100.000 h @ Ta 25°C L90B10

Photobiological safety class: EXEMPT GROUP

ULOR: 0

DLOR: 1

Light intensity category: G*6

Normative References

EN60598-1, EN60598-2-3, EN61547; EN62471, EN55015,
EN61000-3-2, EN61000-3-3

Installation and maintenance

Installation: wall / pole side

Pole diameter: \varnothing 60 - 76 - 89 - 102 - 114 - 120 mm

\varnothing power cable: 10 ÷ 14 mm

Cable Gland: PG16

Power supply compartment: independent from the optical group

Flow adjustment

Standard

Arrangement for Zhaga connector (Book 18)

X

Materials

Body: aluminum alloy die casting UNI EN AB 47100
(copper content < 1%)

Screen: 4 mm acid-etched tempered flat glass

Lenses: PMMA with high transparency

Seals: anti-aging silicone

Screws: INOX

Finish: phosphochromating and polyester powder coating
made in 16 steps for the best weathering resistance

Colors

■ Sablé 100 Noir

Code:

DA1084BDV90D32CCDW00

Product Sheet

30/01/25

Dasos Wall

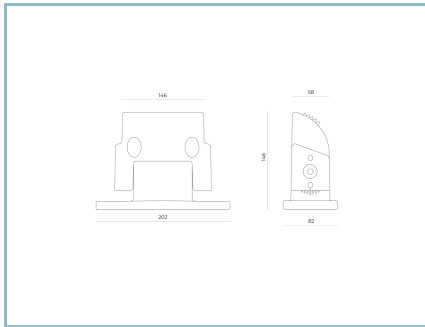
Size: small

Color Temperature: DWL 1800 K - 3000 K

Type of optics: BLOS Asymmetric Black

DA1084BDV90D32CCDW00Colour: Sablé 100 Noir

Mandatory accessories



DA9013CC

Dasos swivel joint

NOTES***Performance data**

The values indicated in this data sheet are nominal values with a tolerance of +/-7%.

Source flux and source efficiency data refer to the LED module without optics; in case you are interested in the performance of the LED module complete with optical system, you must multiply the data reported by the factor 0.9.

General Data

The characteristics of the product listed may be subject to change and must be confirmed when ordering.

In order to promote constant updating of its products, Cariboni Group reserves the right to make changes without prior notice.