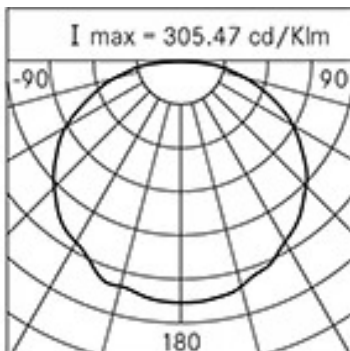
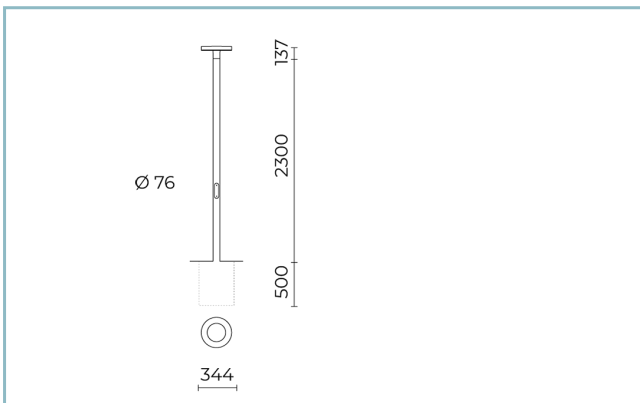




### General Features

Insulation class: class II
Rated voltage: 220-240 V 50/60 Hz
Protection Grade: IP66
Impact protection: IK08
Power Factor: > 0.90
Ambient temperature Ta: -30°C +50°C
Weight: max 16.00 kg
Max exposed surface: 0,092 m <sup>2</sup>
Lateral exposed surface: 0,023 m <sup>2</sup>
Common mode surge protection: 3 kV
Overvoltage protection differential mode: 8 kV
Driver: included
Marks and Certifications: CE



### Performance Data\*

Source flux:	1695 lm
Source power:	19 W
Source efficiency:	89 lm/W
Device flux:	870 lm
Device power:	21 W
Appliance efficiency:	41 lm/W
Glare Index Category:	D6

**Product Sheet**

Rev. 28/07/2023

**Ekleipsis Bollard**

Size: medium H. 2300mm

Color Temperature: 2700 K

Type of optics: rosimmetrica diffondente

**06EK4H2380A**

Colour: Grey RAL9006

**Optical System**

Source: LED

Color Temperature: 2700 K

Color Rendering Index (CRI):  $\geq 80$ Chromatic consistency (SDCM):  $\leq 3$ 

Type of optics: rosimmetrica diffondente

Optical group life:  $>60.000h @Ta25^{\circ}C L80B10$ 

Photobiological safety class: EXEMPT GROUP

**Normative References**

EN60598-1 / EN60598-2-3 / EN62471 / EN61547

**Installation and maintenance**

Installation: burying (H.A.G. 2300 mm)

Fixing: 3 x M6X10 bolts

 $\varnothing$  power cable: 9 + 12 mm

Cable Gland: PG13,5

**Flow adjustment**

On request

DALI control

X

**Materials**Body: die-cast aluminium alloy UNI EN AB 47100 (copper content  $< 1\%$ ); stem pole made of painted galvanised steel

Lenses: polycarbonate

Seals: anti-age silicone

Finish: phospho-chromatation treated and polyester powder-coated in 16 phases to increase weather resistance

**Colors**

■ Grey RAL9006

Code: **06EK4H2380A**

---

**Product Sheet**

Rev. 28/07/2023

**Ekleipsis Bollard**

Size: medium H. 2300mm

Color Temperature: 2700 K

Type of optics: rotosimmetrica diffondente

**06EK4H2380A**Colour: Grey RAL9006

---

---

**NOTES****\*Performance data**

The values indicated in this data sheet are nominal values with a tolerance of +/-7%.

Source flux and source efficiency data refer to the LED module without optics; in case you are interested in the performance of the LED module complete with optical system, you must multiply the data reported by the factor 0.9.

**General Data**

The characteristics of the product listed may be subject to change and must be confirmed when ordering.

In order to promote constant updating of its products, Cariboni Group reserves the right to make changes without prior notice.