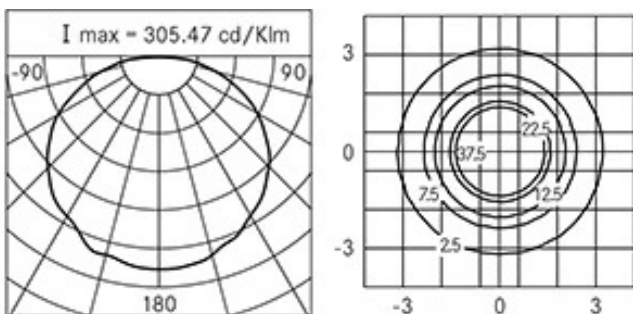
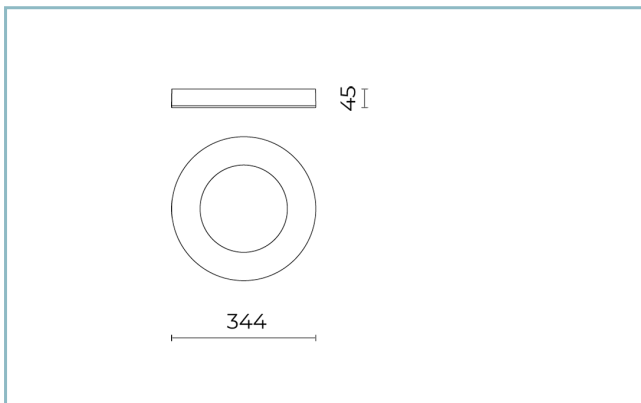




General Features

Insulation class: class I
Rated voltage: 220-240 V 50/60 Hz
Protection Grade: IP66
Impact protection: IK08
Power Factor: > 0.90
Ambient temperature Ta: -30°C +50°C
Weight: 2.40 kg
Max exposed surface: 0,092 m ²
Lateral exposed surface: 0,015 m ²
Driver: included
Marks and Certifications: CE



Performance Data*

Source flux:	1695 lm
Source power:	19 W
Source efficiency:	89 lm/W
Device flux:	870 lm
Device power:	21 W
Appliance efficiency:	41 lm/W
Glare Index Category:	D6

Optical System

Source: LED

Color Temperature: 2700 K

Color Rendering Index (CRI): ≥ 80

Chromatic consistency (SDCM): ≤ 3

Type of optics: rotosimmetrica diffondente

Optical group life: >60.000h @Ta25°C L80B10

Photobiological safety class: EXEMPT GROUP

Normative References

EN60598-1 / EN60598-2-1 / EN60598-2-2 / EN62471 / EN61547

Installation and maintenance

Installation: ceiling / wall

Ø power cable: ≤ 9 mm

Cable gland: DG-MS 16

Materials

Body: die-cast aluminium alloy UNI EN AB 47100 (copper content < 1%)

Lenses: polycarbonate

Seals: anti-age silicone

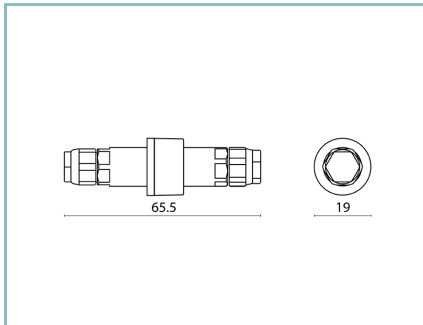
Finish: phospho-chromatation treated and polyester powder-coated in 16 phases to increase weather resistance

Colors

■ Grey RAL9006

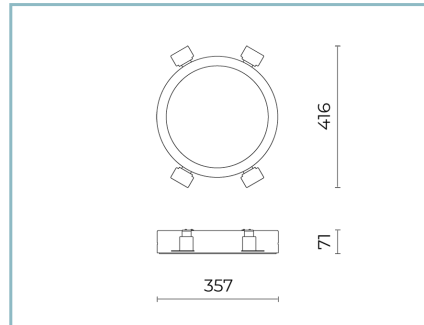
Code: **06EK1H2380A**

Mandatory accessories



06EK907J

Connection kit
recessed ceiling light



06EK901J

EKLEIPSIS MEDIUM recessed kit
for plasterboard ceilings

NOTES

*Performance data

The values indicated in this data sheet are nominal values with a tolerance of +/-7%.

Source flux and source efficiency data refer to the LED module without optics; in case you are interested in the performance of the LED module complete with optical system, you must multiply the data reported by the factor 0.9.

General Data

The characteristics of the product listed may be subject to change and must be confirmed when ordering.

In order to promote constant updating of its products, Cariboni Group reserves the right to make changes without prior notice.