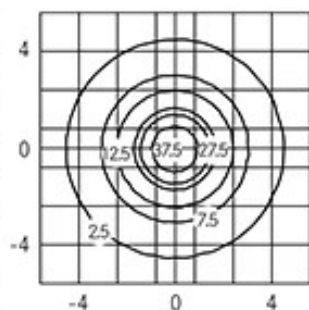
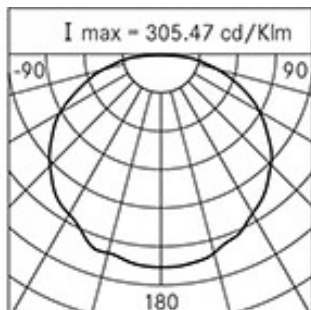
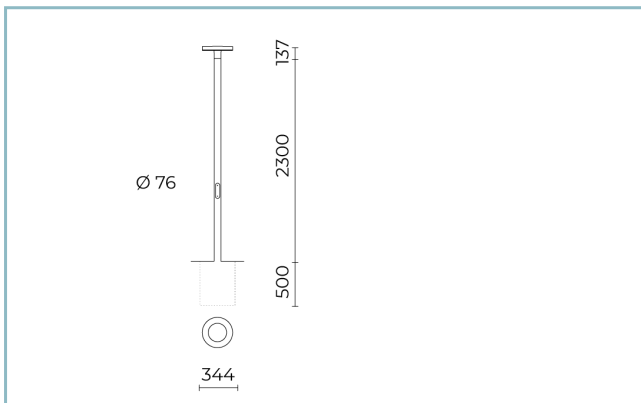




General Features

Description:	Bollard - Pole
Insulation class:	class II
Rated voltage:	220-240 V 50/60 Hz
Protection Grade:	IP66
Impact protection:	IK08
Power Factor:	> 0.90
Ambient temperature Ta:	-30°C +50°C
Weight:	max 16.00 kg
Max exposed surface:	0,092 m ²
Lateral exposed surface:	0,023 m ²
Common mode surge protection:	3 kV
Overvoltage protection differential mode:	8 kV
Driver:	included
Marks and Certifications:	CE



Performance Data*

Source flux:	1800 lm
Source power:	19 W
Source efficiency:	95 lm/W
Device flux:	924 lm
Device power:	21 W
Appliance efficiency:	44 lm/W
Glare Index Category:	D6

Product Sheet

Rev. 17/01/2023

Ekleipsis Pole

Size: medium H. 2300mm

Color Temperature: 3000 K

Type of optics: rotosimmetrica diffondente

06EK4H2390C

Colour: Sablé 100 Noir

Optical System

Source: LED

Color Temperature: 3000 K

Color Rendering Index (CRI): ≥ 80 Chromatic consistency (SDCM): ≤ 3

Type of optics: rotosimmetrica diffondente

Optical group life: $>60.000\text{h}$ @Ta25°C L80B10

Photobiological safety class: EXEMPT GROUP

Normative References

EN60598-1 / EN60598-2-3 / EN62471 / EN61547

Installation and maintenance

Installation: burying (H.A.G. 2300 mm)

Fixing: 3 x M6X10 bolts

 \varnothing power cable: 9 ÷ 12 mm

Cable Gland: PG13,5

Flow adjustment

On request

DALI control

X

MaterialsBody: die-cast aluminium alloy UNI EN AB 47100 (copper content $< 1\%$); stem pole made of painted galvanised steel

Lenses: polycarbonate

Seals: anti-age silicone

Finish: phospho-chromatation treated and polyester powder-coated in 16 phases to increase weather resistance

Colors

■ Sablé 100 Noir

Code: **06EK4H2390C**

Product Sheet

Rev. 17/01/2023

Ekleipsis Pole

Size: medium H. 2300mm

Color Temperature: 3000 K

Type of optics: rotosimmetrica diffondente

06EK4H2390CColour: Sablé 100 Noir

NOTES***Performance data**

The values indicated in this data sheet are nominal values with a tolerance of +/-7%.

Source flux and source efficiency data refer to the LED module without optics; in case you are interested in the performance of the LED module complete with optical system, you must multiply the data reported by the factor 0.9.

General Data

The characteristics of the product listed may be subject to change and must be confirmed when ordering.

In order to promote constant updating of its products, Cariboni Group reserves the right to make changes without prior notice.