



### General Features

Description: Pole

Insulation class: class II

Rated voltage: 220-240 V 50/60 Hz

Protection Grade: IP66

Impact protection: IK08

Power Factor: > 0.90

Ambient temperature Ta: -30°C +50°C

Weight: 34.00 kg

Max exposed surface: 0,180 m<sup>2</sup>

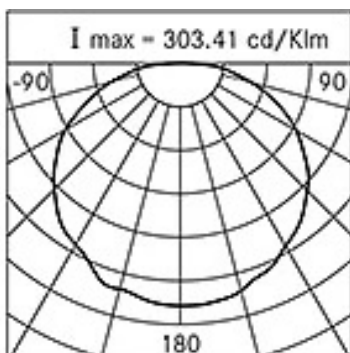
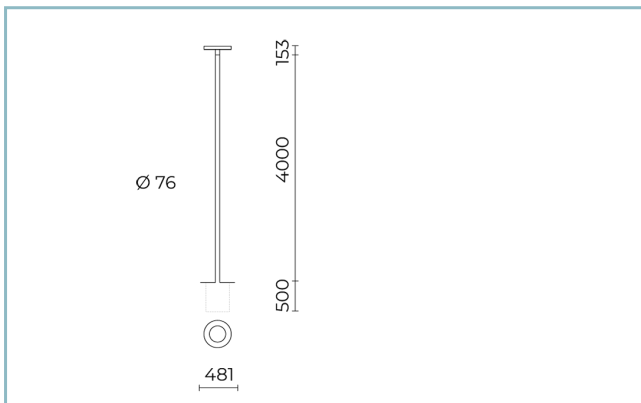
Lateral exposed surface: 0,036 m<sup>2</sup>

Common mode surge protection: 4 kV

Overvoltage protection differential mode: 8 kV

Driver: included

Marks and Certifications: CE



### Performance Data\*

|                       |         |
|-----------------------|---------|
| Source flux:          | 3395 lm |
| Source power:         | 46 W    |
| Source efficiency:    | 74 lm/W |
| Device flux:          | 1950 lm |
| Device power:         | 50 W    |
| Appliance efficiency: | 39 lm/W |
| Glare Index Category: | D5      |

---

### Optical System

Source: LED

Color Temperature: 2700 K

Color Rendering Index (CRI):  $\geq 80$

Chromatic consistency (SDCM):  $\leq 3$

Type of optics: rosimmetrica diffondente

Optical group life:  $>60.000h @Ta25^{\circ}C L80B10$

Photobiological safety class: EXEMPT GROUP

### Normative References

EN60598-1 / EN60598-2-3 / EN62471 / EN61547

### Installation and maintenance

Installation: burying (H.A.G. 4000 mm)

Fixing: 3 x M6X10 bolts

$\varnothing$  power cable: 9 + 12 mm

Cable Gland: PG16

### Flow adjustment

On request

DALI control

X

### Materials

Body: die-cast aluminium alloy UNI EN AB 47100 (copper content  $< 1\%$ ); stem pole made of painted galvanised steel

Lenses: polycarbonate

Seals: anti-age silicone

Finish: phospho-chromatation treated and polyester powder-coated in 16 phases to increase weather resistance

### Colors

■ Grey RAL9006

Code: **06EK400380A**

---

**Product Sheet**

Rev. 17/01/2023

**Ekleipsis Pole**

Size: large H. 4000mm

Color Temperature: 2700 K

Type of optics: rotosimmetrica diffondente

**06EK4O0380A**Colour: Grey RAL9006

---

---

**NOTES****\*Performance data**

The values indicated in this data sheet are nominal values with a tolerance of +/-7%.

Source flux and source efficiency data refer to the LED module without optics; in case you are interested in the performance of the LED module complete with optical system, you must multiply the data reported by the factor 0.9.

**General Data**

The characteristics of the product listed may be subject to change and must be confirmed when ordering.

In order to promote constant updating of its products, Cariboni Group reserves the right to make changes without prior notice.