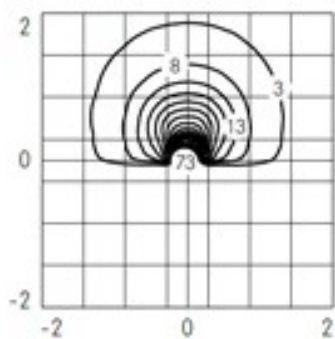
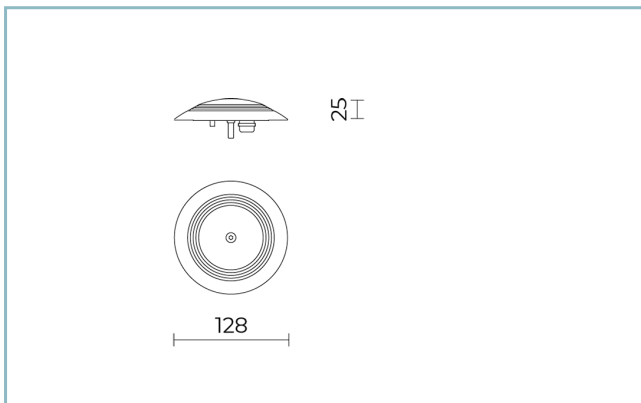


### General Features

Description:	Recessed LED product
Insulation class:	class III
Rated voltage:	24Vdc
Protection Grade:	IP67
Impact protection:	IK10
Ambient temperature Ta:	-30°C +50°C
Weight:	1.00 kg
Driver:	remote (to be ordered separately)
Marks and Certifications:	CE



### Performance Data\*

Source flux:	200 lm
Source power:	2 W
Source efficiency:	100 lm/W
Device flux:	110 lm
Device power:	2 W
Appliance efficiency:	55 lm/W

---

### Optical System

Source: LED

Color Temperature: 4000 K

Color Rendering Index (CRI):  $\geq 80$

Chromatic consistency (SDCM):  $\leq 3$

Type of optics: AS-D 180° Asymmetric diffused beam

Optical group life:  $>35.000\text{h}$  @Ta25°C L80B10

### Normative References

EN60598-1 / EN60598-2-3 / EN62471 / EN61547

### Installation and maintenance

Installation: ground recessed

Fixing: walk over version with steel plate for ground or floor mounting with power supply and remote wiring

Wiring: pre-wired product

Cable Gland: nickel-plated brass M12x1,5

### Flow adjustment

On request

DALI control

X

### Materials

Body: micro-shot peened stainless steel AISI 316L with sanded finish

Lenses: TIR (Total Internal Reflection) made from Ultra-Clear LSR (Liquid Silicone Rubber)

Screws: stainless steel AISI 304

### Colors

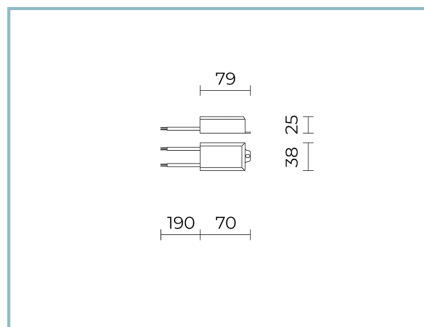
■ sandblasted stainless steel AISI 316L      Code: **06GC1A130A4XS**

## Complements



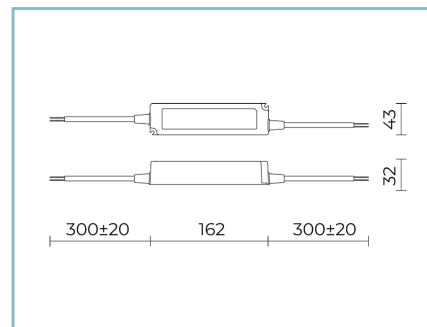
06GC902X0

B165 2-pole connector IP68



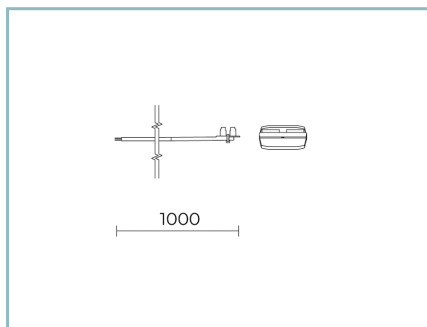
06CH903X0

B147 Driver  
10W-24V IP67



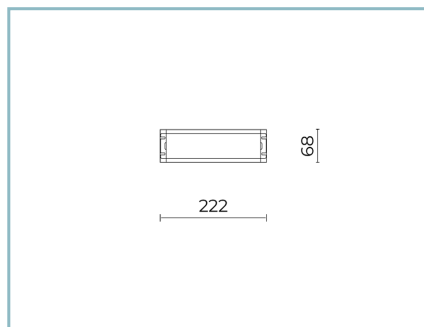
06CH904X0

B148 Driver  
60W-24V IP67



06AK958X0

M3 Kit in/out  
cable 2x0,75 L=1000 mm with junction  
box



06LL914AB0

DALI driver  
150W-24V IP67

## NOTES

### \*Performance data

The values indicated in this data sheet are nominal values with a tolerance of +/-7%.

Source flux and source efficiency data refer to the LED module without optics; in case you are interested in the performance of the LED module complete with optical system, you must multiply the data reported by the factor 0.9.

### General Data

The characteristics of the product listed may be subject to change and must be confirmed when ordering.

In order to promote constant updating of its products, Cariboni Group reserves the right to make changes without prior notice.