



### General Features

Description: wall-mounted LED product

Insulation class: class II

Rated voltage: 220-240 V 50/60 Hz

Protection Grade: IP66

Impact protection: IK08

Power Factor: > 0.9

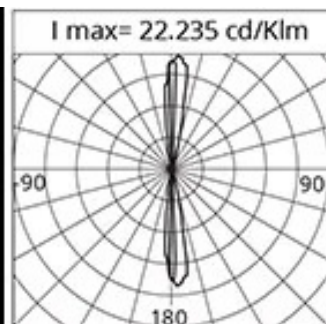
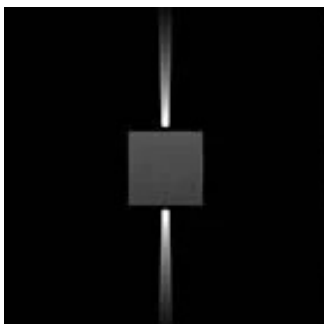
Ambient temperature Ta: -30°C +50°C

Weight: 1.45 kg

Max exposed surface: 0,012 m<sup>2</sup>

Driver: included

Marks and Certifications: CE



### Performance Data\*

Source flux:	845 lm
Source power:	8.1 W
Source efficiency:	104 lm/W
Device flux:	305 lm
Device power:	9 W
Appliance efficiency:	34 lm/W

**Product Sheet**

Rev. 15/05/2023

**Grapho**Options: ON-OFF  
Color Temperature: 2700 K  
Type of optics: 2x Blade 4°x17°**06GR2A40845U**

Colour: Corten

**Optical System**

Source: LED

Color Temperature: 2700 K

Color Rendering Index (CRI):  $\geq 80$ Chromatic consistency (SDCM):  $\leq 3$ 

Type of optics: 2x Blade 4°x17°

Optical group life: &gt;60.000h @Ta25°C L80B10

Photobiological safety class: EXEMPT GROUP

**Normative References**

EN60598-1 / EN60598-2-5 / EN62471 / EN61547

**Installation and maintenance**

Installation: wall

Wiring: Rear cable entry, predisposition to in and out setup

**Materials**

Body: die-cast aluminium alloy UNI EN AB 47100 (copper content &lt; 1%)

Screen: UV stabilized technopolymer

Lenses: high-transparency PMMA

Fixing system: base die-cast aluminium alloy UNI EN AB 47100 (copper content &lt; 1%)

Seals: expanded anti-age silicone foam

Screws: stainless steel AISI 316

Finish: phospho-chromatation treated and polyester powder-coated in 16 phases to increase weather resistance

**Colors**

■ Corten

Code: **06GR2A40845U**

---

**Product Sheet**

Rev. 15/05/2023

**Grapho**

Options: ON-OFF

Color Temperature: 2700 K

Type of optics: 2x Blade 4°x17°

**06GR2A40845U**Colour: Corten

---

---

**NOTES****\*Performance data**

The values indicated in this data sheet are nominal values with a tolerance of +/-7%.

Source flux and source efficiency data refer to the LED module without optics; in case you are interested in the performance of the LED module complete with optical system, you must multiply the data reported by the factor 0.9.

**General Data**

The characteristics of the product listed may be subject to change and must be confirmed when ordering.

In order to promote constant updating of its products, Cariboni Group reserves the right to make changes without prior notice.