



### General Features

Description: LED luminaire

Insulation class: classe II

Rated voltage: 220-240 V 50/60 Hz

Protection Grade: IP66

Impact protection: IK09

Surge protection device: integrated 10kV-10kA, integrated device complete with thermal fuse for disconnection at the end of life; impulse withstand CL II 10kV CM/DM

Power Factor: > 0.90

Ambient temperature Ta: -30°C +50°C

Weight: 8.00 kg

Max exposed surface: 0,16 m<sup>2</sup>

Lateral exposed surface: 0,068 m<sup>2</sup>

Common mode surge protection: 10 kV

Overtoltage protection differential mode: 10 kV

Driver: included

Marks and Certifications: ENEC / CE

### Performance Data\*

LED Current:	350 mA
Source flux:	4635 lm
Source power:	23 W
Source efficiency:	202 lm/W
Device flux:	3430 lm
Device power:	26.5 W
Appliance efficiency:	129 lm/W
Glare Index Category:	D5

**Product Sheet**

Rev. 11/07/2024

**Kalos Pole Side**Options: 2 arms  
Color Temperature: 4000 K  
Type of optics: ST-01 Narrow street**01KA4C43030CHM4**

Colour: Sablé 100 Noir

**Optical System**

Source: LED R2

Color Temperature: 4000 K

Color Rendering Index (CRI):  $\geq 70$ Chromatic consistency (SDCM):  $\leq 4$ 

Type of optics: ST-01 Narrow street

Optical group life: >160.000h @700mA @Ta25°C TM21  
L80B20 >160.000h @700mA @Ta25°C TM21 L80B10

Photobiological safety class: EXEMPT GROUP

ULOR: 0%

DLOR: 100%

Light intensity category: G\*3

BUG rating: B1-U0-G1

**Normative References**

EN60598-1 / EN60598-2-3 / EN62471 / EN61547

**Installation and maintenance**

Installation: post top, pole side

Pole diameter: (testa palo)  $\varnothing$  60 mm (76 - 102 mm con accessori), (lato palo)  $\varnothing$  102 mm

Fixing: 3 x AISI 304 stainless steel securing bolts

 $\varnothing$  power cable: 8  $\div$  13 mm

Cable gland: M20

Replaceable wiring plate: removable plate

Replaceable optical unit: LED disc replacement

Power supply compartment: independent from the optical system

**Flow adjustment**

On request

Virtual Midnight Teaching

X

Constant flow output (CLO)

X

Adjusting 1-10V

X

DALI control

X

Mains voltage variation

X

Power line telemanagement (PLC)

X

Wireless remote management

X

**Materials**

Body: die-cast aluminium alloy UNI EN AB 47100 (copper content &lt; 1%)

Screen: tempered flat glass 5 mm

Lenses: high-transparency PMMA

Fixing system: die-cast aluminium alloy UNI EN AB 47100 (copper content &lt; 1%)

Seals: expanded anti-age silicone foam

Screws: stainless steel AISI 304

Wiring plate: self-extinguishable technopolymer V0

Finish: phospho-chromatation treated and polyester powder-coated in 16 phases to increase weather resistance

**Colors**

■ Sablé 100 Noir

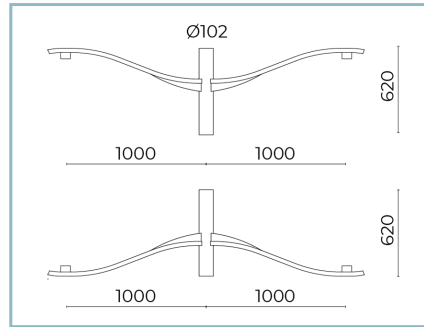
Code: **01KA4C43030CHM4**

### Optional accessories



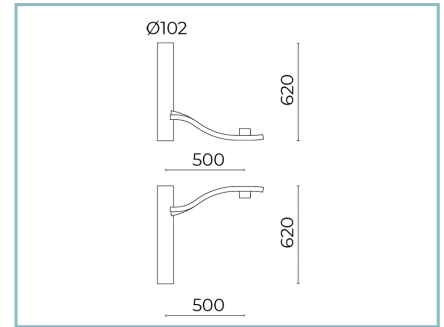
01KA902C0

B35 Single arm  
L=1000 mm for poles Ø 102 mm with a Ø 60 mm fastening part H. 120 mm.  
Colour: Sablé 100 Noir.



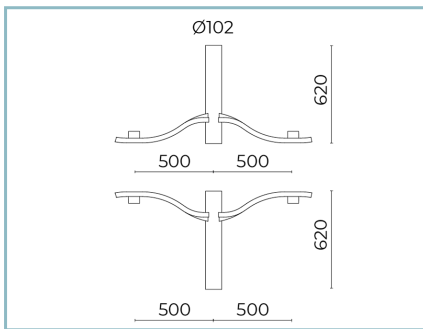
01KA903C0

B36 Double arm  
L=1000 mm for poles Ø 102 mm with a Ø 60 mm fastening part H. 120 mm.  
Colour: Sablé 100 Noir.



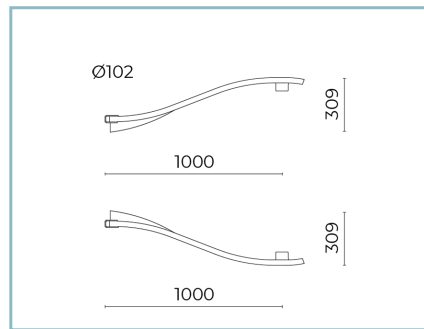
01KA904C0

B37 Single arm  
L=500 mm for poles Ø 102 mm with a Ø 60 mm fastening part H. 120 mm.  
Colour: Sablé 100 Noir.



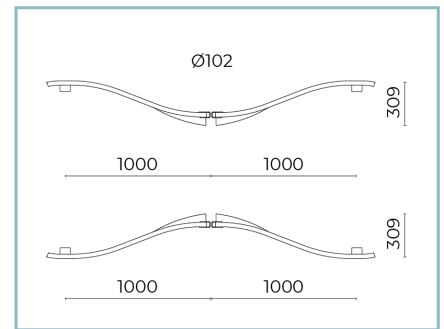
01KA905C0

B38 Double arm  
L=500 mm for poles Ø 102 mm with a Ø 60 mm fastening part H. 120 mm.  
Colour: Sablé 100 Noir.



01KA906C0

B39 Single arm  
L=1000 mm for poles Ø 102 mm.  
Colour: Sablé 100 Noir.



01KA907C0

B44 Double arm  
L=1000 mm for poles Ø 102 mm.  
Colour: Sablé 100 Noir.



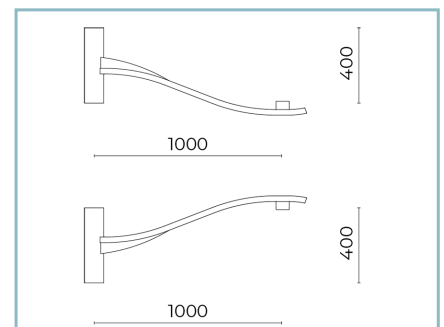
01KA908C0

B45 Single arm  
L=500 mm for poles Ø 102 mm. Colour: Sablé 100 Noir.



01KA909C0

B46 Double arm  
L=500 mm for poles Ø 102 mm. Colour: Sablé 100 Noir.



01KA910C0

B39-P Wall-mounted arm  
L=1000 mm. UP / DOWN. Colour: Sablé 100 Noir.

---

**Product Sheet**

Rev. 11/07/2024

**Kalos Pole Side**

Options: 2 arms

Color Temperature: 4000 K

Type of optics: ST-01 Narrow street

**01KA4C43030CHM4**

Colour: Sablé 100 Noir



01KA911C0

B45-P Wall-mounted arm

L=500 mm. UP / DOWN. Colour: Sablé

100 Noir.

---

**NOTES****\*Performance data**

The values indicated in this data sheet are nominal values with a tolerance of +/-7%.

Source flux and source efficiency data refer to the LED module without optics; in case you are interested in the performance of the LED module complete with optical system, you must multiply the data reported by the factor 0.9.

**General Data**

The characteristics of the product listed may be subject to change and must be confirmed when ordering.

In order to promote constant updating of its products, Cariboni Group reserves the right to make changes without prior notice.