



### General Features

Description: LED luminaire

Insulation class: classe II

Rated voltage: 220-240 V 50/60 Hz

Protection Grade: IP66

Impact protection: IK09

Surge protection device: integrated 10kV-10kA, integrated device complete with thermal fuse for disconnection at the end of life; impulse withstand CL II 10kV CM/DM

Power Factor: > 0.90

Ambient temperature Ta: -30°C +50°C

Weight: 8.00 kg

Max exposed surface: 0,16 m<sup>2</sup>

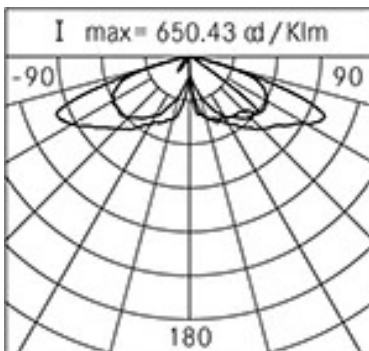
Lateral exposed surface: 0,068 m<sup>2</sup>

Common mode surge protection: 10 kV

Overtoltage protection differential mode: 10 kV

Driver: included

Marks and Certifications: ENEC / CE



### Performance Data\*

|                       |          |
|-----------------------|----------|
| LED Current:          | 525 mA   |
| Source flux:          | 9720 lm  |
| Source power:         | 53 W     |
| Source efficiency:    | 183 lm/W |
| Device flux:          | 7195 lm  |
| Device power:         | 58.5 W   |
| Appliance efficiency: | 123 lm/W |
| Glare Index Category: | D3       |

### Optical System

|   |
|---|
| Source: LED R3  |
| Color Temperature: 4000 K   |
| Color Rendering Index (CRI): $\geq 70$  |
| Chromatic consistency (SDCM): $\leq 4$  |
| Type of optics: LA-01 Wide street   |
| Optical group life: >160.000h @700mA @Ta25°C TM21 L80B20 >160.000h @700mA @Ta25°C TM21 L80B10 |
| Photobiological safety class: EXEMPT GROUP  |
| ULOR: 0%  |
| DLOR: 100%  |
| Light intensity category: G*3   |
| BUG rating: B2-U0-G1  |

### Normative References

EN60598-1 / EN60598-2-3 / EN62471 / EN61547

### Installation and maintenance

|   |
|---|
| Installation: post top, pole side   |
| Pole diameter: (testa palo) $\varnothing$ 60 mm (76 - 102 mm con accessori), (lato palo) $\varnothing$ 102 mm |
| Fixing: 3 x AISI 304 stainless steel securing bolts   |
| $\varnothing$ power cable: 8 $\div$ 13 mm   |
| Cable gland: M20  |
| Replaceable wiring plate: removable plate   |
| Replaceable optical unit: LED disc replacement  |
| Power supply compartment: independent from the optical system   |

### Flow adjustment

On request

|                                 |   |
|---------------------------------|---|
| Virtual Midnight Teaching       | X |
| Constant flow output (CLO)      | X |
| Adjusting 1-10V                 | X |
| DALI control                    | X |
| Mains voltage variation         | X |
| Power line telemanagement (PLC) | X |
| Wireless remote management      | X |

### Materials

|  |
|--|
| Body: die-cast aluminium alloy UNI EN AB 47100 (copper content < 1%)   |
| Screen: tempered flat glass 5 mm   |
| Lenses: high-transparency PMMA   |
| Fixing system: die-cast aluminium alloy UNI EN AB 47100 (copper content < 1%)                                |
| Seals: expanded anti-age silicone foam   |
| Screws: stainless steel AISI 304   |
| Wiring plate: self-extinguishable technopolymer V0   |
| Finish: phospho-chromatation treated and polyester powder-coated in 16 phases to increase weather resistance |

### Colors

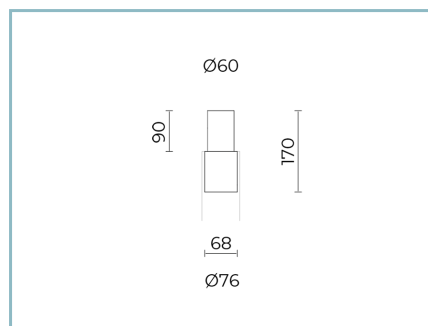
|                  |                              |
|------------------|------------------------------|
| ■ Sablé 100 Noir | Code: <b>01KA4D65031CHM4</b> |
|------------------|------------------------------|

**Product Sheet**

Rev. 11/07/2024

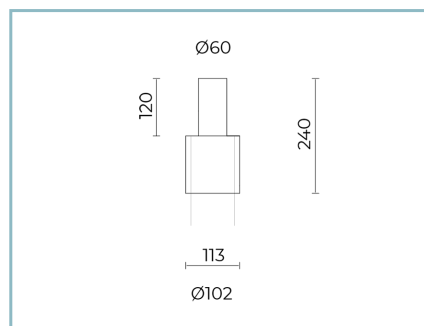
**Kalos Post Top**Options: 2 arms  
Color Temperature: 4000 K  
Type of optics: LA-01 Wide street**01KA4D65031CHM4**

Colour: Sablé 100 Noir

**Optional accessories**

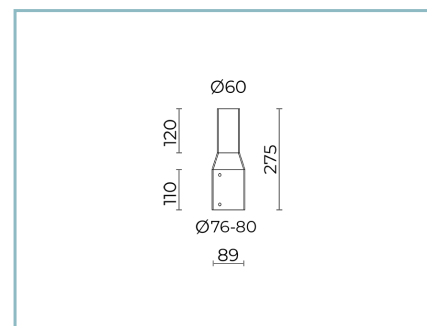
01AY904C0

L7 Reduction  $\varnothing$  60-68 mm  
for poles  $\varnothing$  76 mm. Colour: Sablé 100  
Noir.



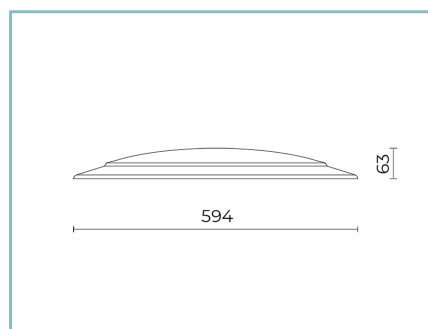
01SC913C0

Reduction fastening part  $\varnothing$  60 mm H.  
120 mm  
for poles  $\varnothing$  102 mm. Colour: Sablé 100  
Noir.



01AK980C0

B200 Pole adapter  
 $\varnothing$  76-80 mm top  $\varnothing$  60 mm. Colour:  
Sablé 100 Noir.



01KA901C0

Cover for KALOS with 4 brackets  
on post top or on arm for upwards  
installation. Colour: Sablé 100 Noir.

**NOTES****\*Performance data**

The values indicated in this data sheet are nominal values with a tolerance of +/-7%.

Source flux and source efficiency data refer to the LED module without optics; in case you are interested in the performance of the LED module complete with optical system, you must multiply the data reported by the factor 0.9.

**General Data**

The characteristics of the product listed may be subject to change and must be confirmed when ordering.

In order to promote constant updating of its products, Cariboni Group reserves the right to make changes without prior notice.