



General Features

Description: LED luminaire

Insulation class: classe II

Rated voltage: 220-240 V 50/60 Hz

Protection Grade: IP66

Impact protection: IK09

Surge protection device: integrated 10kV-10kA, integrated device complete with thermal fuse for disconnection at the end of life; impulse withstand CL II 10kV CM/DM

Power Factor: > 0.90

Ambient temperature Ta: -30°C +50°C

Weight: 8.00 kg

Max exposed surface: 0,16 m²

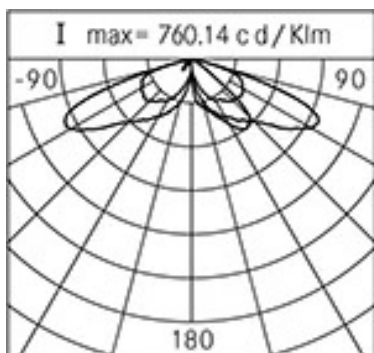
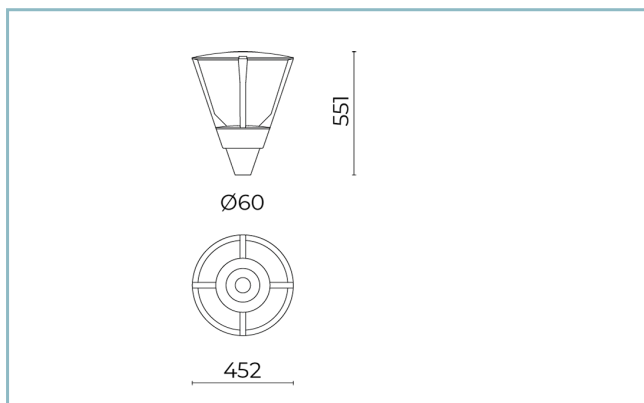
Lateral exposed surface: 0,068 m²

Common mode surge protection: 10 kV

Overtoltage protection differential mode: 10 kV

Driver: included

Marks and Certifications: ENEC / CE



Performance Data*

| | |
|-----------------------|----------|
| LED Current: | 525 mA |
| Source flux: | 9075 lm |
| Source power: | 53 W |
| Source efficiency: | 171 lm/W |
| Device flux: | 6715 lm |
| Device power: | 58.5 W |
| Appliance efficiency: | 115 lm/W |
| Glare Index Category: | D4 |

Optical System

| |
|---|
| Source: LED R3 |
| Color Temperature: 3000 K |
| Color Rendering Index (CRI): ≥ 70 |
| Chromatic consistency (SDCM): ≤ 4 |
| Type of optics: ME-01 Medium street |
| Optical group life: >160.000h @700mA @Ta25°C TM21 L80B20 >160.000h @700mA @Ta25°C TM21 L80B10 |
| Photobiological safety class: EXEMPT GROUP |
| ULOR: 0% |
| DLOR: 100% |
| Light intensity category: G*3 |
| BUG rating: B1-U0-G1 |

Normative References

EN60598-1 / EN60598-2-3 / EN62471 / EN61547

Installation and maintenance

| |
|---|
| Installation: post top, pole side |
| Pole diameter: (testa palo) \varnothing 60 mm (76 - 102 mm con accessori), (lato palo) \varnothing 102 mm |
| Fixing: 3 x AISI 304 stainless steel securing bolts |
| \varnothing power cable: 8 \div 13 mm |
| Cable gland: M20 |
| Replaceable wiring plate: removable plate |
| Replaceable optical unit: LED disc replacement |
| Power supply compartment: independent from the optical system |

Flow adjustment

On request

| | |
|---------------------------------|---|
| Virtual Midnight Teaching | X |
| Constant flow output (CLO) | X |
| Adjusting 1-10V | X |
| DALI control | X |
| Mains voltage variation | X |
| Power line telemanagement (PLC) | X |
| Wireless remote management | X |

Materials

| |
|--|
| Body: die-cast aluminium alloy UNI EN AB 47100 (copper content < 1%) |
| Screen: tempered flat glass 5 mm |
| Lenses: high-transparency PMMA |
| Fixing system: die-cast aluminium alloy UNI EN AB 47100 (copper content < 1%) |
| Seals: expanded anti-age silicone foam |
| Screws: stainless steel AISI 304 |
| Wiring plate: self-extinguishable technopolymer V0 |
| Finish: phospho-chromatation treated and polyester powder-coated in 16 phases to increase weather resistance |

Colors

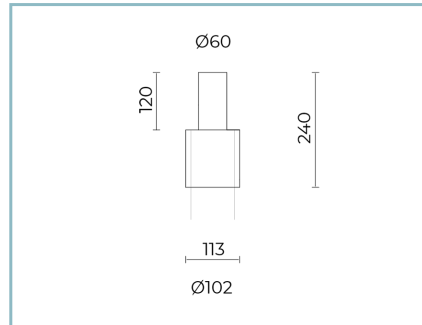
■ Sablé 100 Noir Code: **01KA5D65932CHM4**

Optional accessories



01AY904C0

L7 Reduction \varnothing 60-68 mm for poles \varnothing 76 mm. Colour: Sablé 100 Noir.



01SC913C0

Reduction fastening part \varnothing 60 mm H. 120 mm for poles \varnothing 102 mm. Colour: Sablé 100 Noir.



01AK980C0

B200 Pole adapter \varnothing 76-80 mm top \varnothing 60 mm. Colour: Sablé 100 Noir.



01KA901C0

Cover for KALOS with 4 brackets on post top or on arm for upwards installation. Colour: Sablé 100 Noir.

NOTES

*Performance data

The values indicated in this data sheet are nominal values with a tolerance of +/-7%.

Source flux and source efficiency data refer to the LED module without optics; in case you are interested in the performance of the LED module complete with optical system, you must multiply the data reported by the factor 0.9.

General Data

The characteristics of the product listed may be subject to change and must be confirmed when ordering.

In order to promote constant updating of its products, Cariboni Group reserves the right to make changes without prior notice.