



### General Features

Description: suspension-mounted LED luminaire

Insulation class: classe II

Rated voltage: 220-240 V 50/60 Hz

Protection Grade: IP66

Impact protection: IK09

Surge protection device: integrated 10kV-10kA, integrated device complete with thermal fuse for disconnection at the end of life; impulse withstand CL II 10kV CM/DM

Power Factor: > 0.90

Ambient temperature Ta: -30°C +50°C

Weight: 8.00 kg

Max exposed surface: 0,16 m<sup>2</sup>

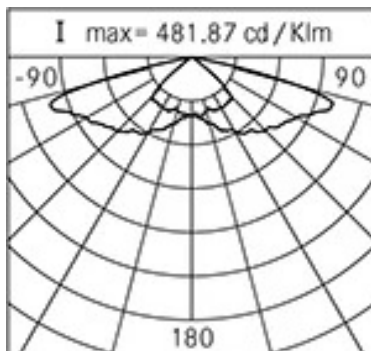
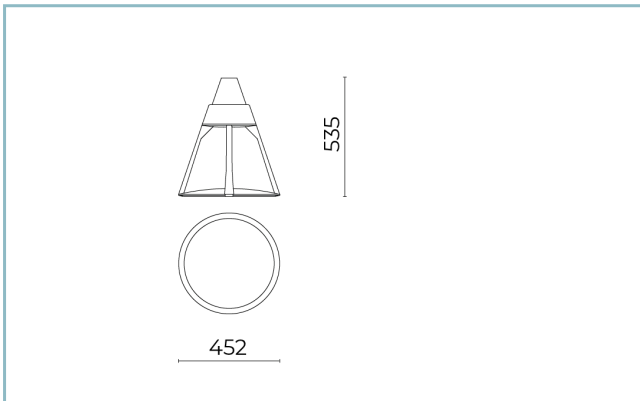
Lateral exposed surface: 0,068 m<sup>2</sup>

Common mode surge protection: 10 kV

Overtoltage protection differential mode: 10 kV

Driver: included

Marks and Certifications: ENEC / CE



### Performance Data\*

|                       |          |
|-----------------------|----------|
| LED Current:          | 700 mA   |
| Source flux:          | 7665 lm  |
| Source power:         | 48 W     |
| Source efficiency:    | 160 lm/W |
| Device flux:          | 6590 lm  |
| Device power:         | 52.5 W   |
| Appliance efficiency: | 126 lm/W |
| Glare Index Category: | D4       |

### Optical System

|   |
|---|
| Source: LED R2  |
| Color Temperature: 3000 K   |
| Color Rendering Index (CRI): $\geq 70$  |
| Chromatic consistency (SDCM): $\leq 4$  |
| Type of optics: SO-01 Steet centered  |
| Optical group life: >160.000h @700mA @Ta25°C TM21 L80B20 >160.000h @700mA @Ta25°C TM21 L80B10 |
| Photobiological safety class: EXEMPT GROUP  |
| ULOR: 0%  |
| DLOR: 100%  |
| Light intensity category: G*4   |
| BUG rating: B2-U0-G1  |

### Normative References

EN60598-1 / EN60598-2-3 / EN62471 / EN61547

### Installation and maintenance

|   |
|---|
| Installation: on string suspension / covered walkway          |
| Ø power cable: 8 ÷ 13 mm                                      |
| Cable gland: M20  |
| Replaceable wiring plate: removable plate                     |
| Replaceable optical unit: LED disc replacement                |
| Power supply compartment: independent from the optical system |

### Flow adjustment

On request

|                                 |   |
|---------------------------------|---|
| Virtual Midnight Teaching       | X |
| Constant flow output (CLO)      | X |
| Adjusting 1-10V                 | X |
| DALI control                    | X |
| Mains voltage variation         | X |
| Power line telemanagement (PLC) | X |
| Wireless remote management      | X |

### Materials

|  |
|--|
| Body: die-cast aluminium alloy UNI EN AB 47100 (copper content < 1%)   |
| Screen: tempered flat glass 5 mm   |
| Lenses: high-transparency PMMA   |
| Fixing system: die-cast aluminium alloy UNI EN AB 47100 (copper content < 1%)                                |
| Seals: expanded anti-age silicone foam   |
| Screws: stainless steel AISI 304   |
| Wiring plate: self-extinguishable technopolymer V0   |
| Finish: phospho-chromatation treated and polyester powder-coated in 16 phases to increase weather resistance |

### Colors

■ Sablé 100 Noir Code: **01KA6C40939CHM4**

---

## Mandatory accessories

---



01KA900JO

---

String suspension attachment kit  
made of stainless steel

---

## NOTES

### \*Performance data

The values indicated in this data sheet are nominal values with a tolerance of +/-7%.

Source flux and source efficiency data refer to the LED module without optics; in case you are interested in the performance of the LED module complete with optical system, you must multiply the data reported by the factor 0.9.

### General Data

The characteristics of the product listed may be subject to change and must be confirmed when ordering.

In order to promote constant updating of its products, Cariboni Group reserves the right to make changes without prior notice.