



### General Features

Description: LED fitting for lighting façades, paths and urban spaces

Insulation class: Class II

Rated voltage: 220-240 V 50/60 Hz

Protection Grade: IP66

Impact protection: IK07

Surge protection device: integrated 2kV-4kV

Power Factor: > 0.95

Ambient temperature Ta: -30°C +50°C

Weight: 4.5 kg

Max exposed surface: 0.04 m<sup>2</sup>

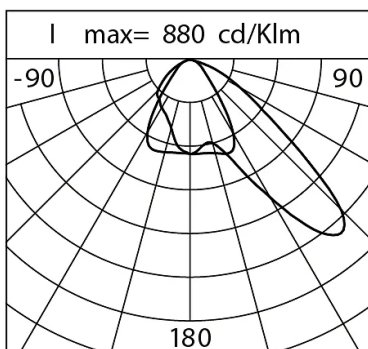
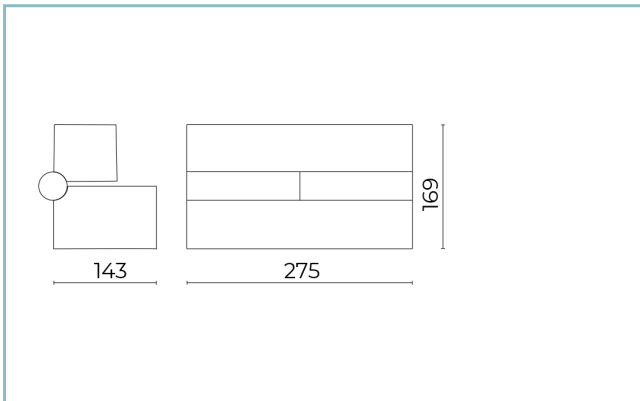
Lateral exposed surface: 0.021 m<sup>2</sup>

Common mode surge protection: 2 kV

Overvoltage protection differential mode: 4 kV

Driver: included

Marks and Certifications: CE



### Performance Data\*

Source flux:	2210 lm
Source power:	16 W
Source efficiency:	138 lm/W
Device flux:	1180 lm
Device power:	18 W
Appliance efficiency:	66 lm/W

**Product Sheet**

30/07/2024

**Kinetic Flood**Size: Monoemission  
Color Temperature: 4000 K  
Type of optics: AS-D90°**06KI3C01200C16CHL**

Colour: Sablé 100 Noir

**Optical System**

Source: 5 LED

Color Temperature: 4000 K

Color Rendering Index (CRI):  $\geq 80$ Chromatic consistency (SDCM):  $\leq 3$ 

Type of optics: AS-D90°

Optical group life:  $>60.000$  h @ Ta 25°C L80B10

Photobiological safety class: EXEMPT GROUP

ULOR: 0%

DLOR: 100%

BUG rating: B1-U0-G0

**Normative References**EN60598-1 / EN60598-2-3 / EN61547 / EN62471 / EN55015 /  
EN61000-3-2 / EN61000-3-3**Installation and maintenance**

Installation: ground

Tilt:  $-90^{\circ}$   $+130^{\circ}$  continuously adjustable

Ø power cable: 7 ÷ 13 mm

Cable Gland: M20

Power supply compartment: independent from the  
optical group**Flow adjustment**

Standard

DALI control

X

**Materials**Body: die-cast aluminium alloy UNI EN AB 47100 (copper  
content  $< 1\%$ )

Screen: tempered flat glass 4 mm

Lenses: high-transparency PMMA

Seals: anti-age silicone

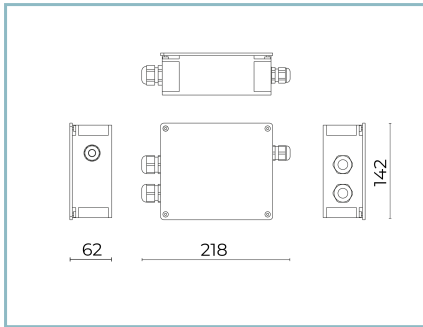
Screws: stainless steel AISI 304

Finish: phospho-chromatation treated and polyester  
powder-coated in 16 phases to increase weather resistance**Colors**

■ Sablé 100 Noir

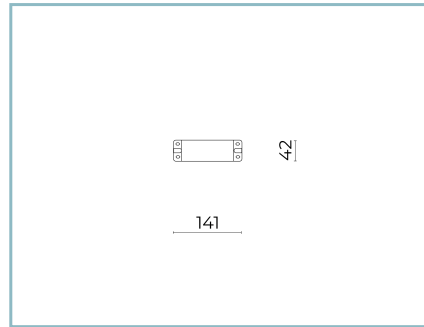
Code: **06KI3C01200C16CHL**

## Complements



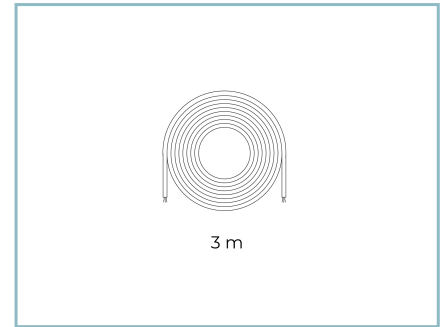
06KI905X0

D9 Kit connessione



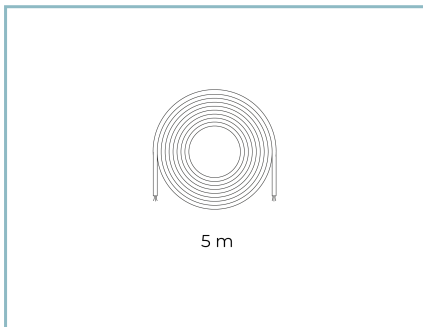
06KI908X0

D12 Kit Driver



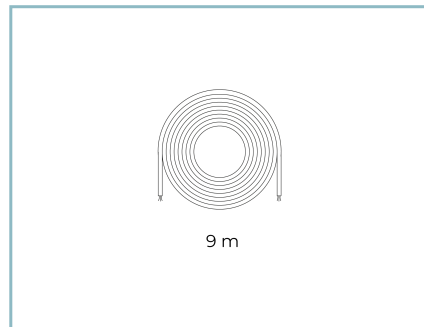
06KI912X0

Kit cable



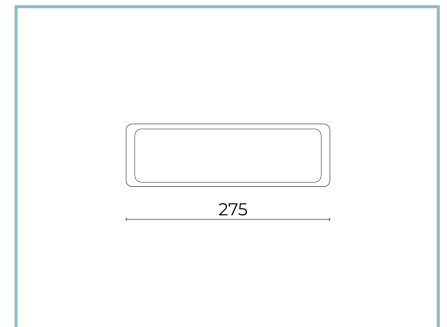
06KI913X0

Kit cable



06KI914X0

Kit cable



06KI911X0

Wall Spacer

## NOTES

### \*Performance data

The values indicated in this data sheet are nominal values with a tolerance of +/-7%.

Source flux and source efficiency data refer to the LED module without optics; in case you are interested in the performance of the LED module complete with optical system, you must multiply the data reported by the factor 0.9.

### General Data

The characteristics of the product listed may be subject to change and must be confirmed when ordering.

In order to promote constant updating of its products, Cariboni Group reserves the right to make changes without prior notice.