



General Features

Description: LED fitting for lighting façades, paths and urban spaces

Insulation class: Class III

Rated voltage: 24 Vdc

Protection Grade: IP66

Impact protection: IK07

Surge protection device: integrated 2kV-4kV

Power Factor: > 0.95

Ambient temperature Ta: -30°C +50°C

Weight: 4.5 kg

Max exposed surface: 0.04 m²

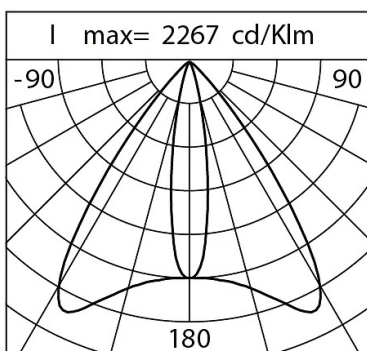
Lateral exposed surface: 0.021 m²

Common mode surge protection: 2 kV

Overvoltage protection differential mode: 4 kV

Driver: remote (to be ordered separately)

Marks and Certifications: CE



Performance Data*

Source flux:	1820 lm
Source power:	20 W
Source efficiency:	91 lm/W
Device flux:	1305 lm
Device power:	22 W
Appliance efficiency:	59 lm/W

Product Sheet

30/07/2024

Kinetic Wall

Size: Monoemissione
Color Temperature: RGBW - 3000 K
Type of optics: ELL50°x18°

06KI3C050RC13CHS5

Colour: Sablé 100 Noir

Optical System

Source: 5 LED

Color Temperature: RGBW - 3000 K

Color Rendering Index (CRI): ≥ 80 Chromatic consistency (SDCM): ≤ 3

Type of optics: ELL50°x18°

Optical group life: >60.000 h @ Ta 25°C L80B10

Photobiological safety class: EXEMPT GROUP

ULOR: 0%

DLOR: 100%

BUG rating: B1-U0-G0

Normative References

EN60598-1 / EN60598-2-3 / EN61547 / EN62471 / EN55015 /
EN61000-3-2 / EN61000-3-3

Installation and maintenance

Installation: ground

Tilt: -90° +130° continuously adjustable

Ø power cable: 7 ÷ 13 mm

Cable Gland: M20

Power supply compartment: independent from the optical group

Flow adjustment

Standard

DALI control

X

Materials

Body: die-cast aluminium alloy UNI EN AB 47100 (copper content < 1%)

Screen: tempered flat glass 4 mm

Lenses: high-transparency PMMA

Seals: anti-age silicone

Screws: stainless steel AISI 304

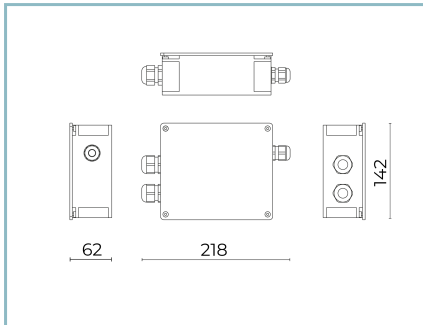
Finish: phospho-chromatation treated and polyester powder-coated in 16 phases to increase weather resistance

Colors

■ Sablé 100 Noir

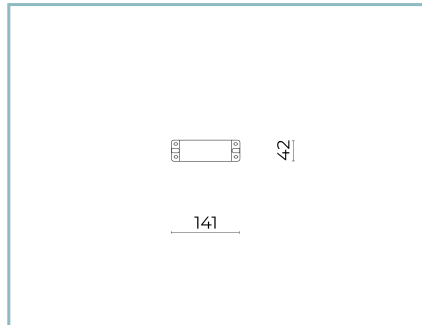
Code: **06KI3C050RC13CHS5**

Mandatory accessories



06KI905X0

D9 RGBW dimmer kit - TW DALI 1 module



06KI908X0

D12 Driver 60W 24V IP67 KINETIC-M/KONO RGBW-TW

Optional accessories



06KI912X0

KINETIC/KONO RGBW-TW 3m cable kit



06KI913X0

KINETIC/KONO RGBW-TW 5m cable kit



06KI914X0

9m KINETIC/KONO RGBW-TW cable kit



06KI911X0

Kinetic wall spacer

Product Sheet

30/07/2024

Kinetic Wall

Size: Monoemissione

Color Temperature: RGBW - 3000 K

Type of optics: ELL50°x18°

06KI3C050RC13CHS5Colour: Sablé 100 Noir

NOTES***Performance data**

The values indicated in this data sheet are nominal values with a tolerance of +/-7%.

Source flux and source efficiency data refer to the LED module without optics; in case you are interested in the performance of the LED module complete with optical system, you must multiply the data reported by the factor 0.9.

General Data

The characteristics of the product listed may be subject to change and must be confirmed when ordering.

In order to promote constant updating of its products, Cariboni Group reserves the right to make changes without prior notice.