



### General Features

Description: LED street fixture

Insulation class: class II

Rated voltage: 220-240 V 50/60 Hz

Protection Grade: IP66

Impact protection: IK09

Surge protection device: integrated 10kV-10kA

Power Factor: > 0.9

Ambient temperature Ta: -30°C +50°C

Weight: 6.2 kg

Max exposed surface: 0.155 m<sup>2</sup>

Lateral exposed surface: 0.039 m<sup>2</sup>

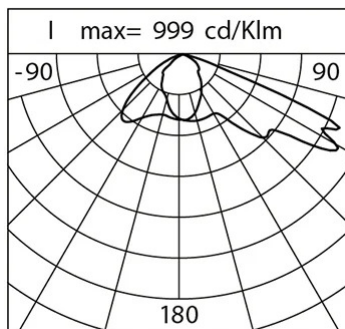
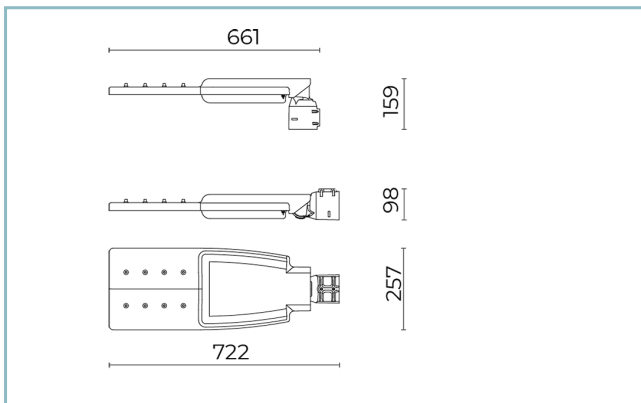
Common mode surge protection: 10 kV

Overvoltage protection differential mode: 10 kV

Driver: included

Driver lifetime: >100.000h @Ta25°C

Marks and Certifications: ENEC / ENEC+ / CE



### Performance Data\*

|                       |          |
|-----------------------|----------|
| Source flux:          | 16045 lm |
| Source power:         | 82 W     |
| Source efficiency:    | 195 lm/W |
| Device flux:          | 13800 lm |
| Device power:         | 89 W     |
| Appliance efficiency: | 155 lm/W |
| Glare Index Category: | D4       |

### Optical System

|  |
|--|
| Source: LED R3                               |
| Color Temperature: 4000 K                    |
| Color Rendering Index (CRI): $\geq 70$       |
| Chromatic consistency (SDCM): $\leq 3$       |
| Type of optics: AP-S2 Pedestrian crossing    |
| Optical group life: >100.000h @Ta25°C L90B10 |
| Photobiological safety class: EXEMPT GROUP   |
| ULOR: 0%                                     |
| DLOR: 100%                                   |
| Light intensity category: G*6                |
| BUG rating: B3-U0-G2                         |

### Normative References

EN60598-1, EN60598-2-3, EN61547; EN62471, EN55015, EN61000-3-2, EN61000-3-3

### Installation and maintenance

|  |
|--|
| Installation: side pole / arm                                |
| Pole diameter: $\varnothing$ 46 - 60 - 76 mm                 |
| Tilt: post top 0 +90° (step 5°); arm 0 -90° (step 5°)        |
| $\varnothing$ power cable: 10 ÷ 14 mm                        |
| Cable Gland: PG16  |
| Power supply compartment: independent from the optical group |

### Flow adjustment

On request

|   |   |
|---|---|
| Virtual Midnight Teaching                 | X |
| Arrangement for Zhaga connector (Book 18) | X |
| Constant flow output (CLO)                | X |
| Adjusting 1-10V                           | X |
| DALI control                              | X |
| Mains voltage variation                   | X |
| Wireless remote management                | X |
| Provision for motion/light sensors        | X |

### Materials

|  |
|--|
| Body: die-cast aluminium alloy UNI EN AB 47100 (copper content < 1%)   |
| Screen: tempered flat glass 4 mm   |
| Lenses: high-transparency PMMA   |
| Fixing system: die-cast aluminium alloy UNI EN AB 47100 (copper content < 1%)                                |
| Seals: anti-age silicone   |
| Screws: stainless steel AISI 304   |
| Finish: phospho-chromatation treated and polyester powder-coated in 16 phases to increase weather resistance |

### Colors

|  |                               |
|--|-------------------------------|
|  Grey RAL9006 | Code: <b>01KO3D660020AHM4</b> |
|--|-------------------------------|

## Complements



06GN902KO

Wall-mounted plate with a 90° inclination for fixtures with Ø 60 mm fastening part. Colour: grey RAL9006.



01AK968AO

B59 Double tubular arm Ø 60 mm with tensioning rod for poles Ø 60-76 mm. L=1050 mm (pole center-fitting center). Colour: grey RAL9006.



01AK969AO

B74 Single tubular arm Ø 60 mm with tensioning rod for poles Ø 60-76 mm. L=1050 mm (pole center-fitting center). Colour: grey RAL9006.



01AK951AO

B1-P Tubular wall-mounted arm Ø 60 mm. L=550 mm. Colour: grey RAL9006.



01AK921AO

B1 Single tubular arm Ø 60 mm for poles Ø 60-76 mm. L=550 mm. Colour: grey RAL9006.



01AK922AO

B2 Double tubular arm Ø 60 mm for poles Ø 60-76 mm. L=550 mm. Colour: grey RAL9006.

## NOTES

### \*Performance data

The values indicated in this data sheet are nominal values with a tolerance of +/-7%.

Source flux and source efficiency data refer to the LED module without optics; in case you are interested in the performance of the LED module complete with optical system, you must multiply the data reported by the factor 0.9.

### General Data

The characteristics of the product listed may be subject to change and must be confirmed when ordering.

In order to promote constant updating of its products, Cariboni Group reserves the right to make changes without prior notice.