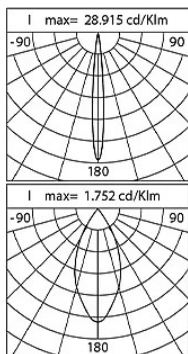
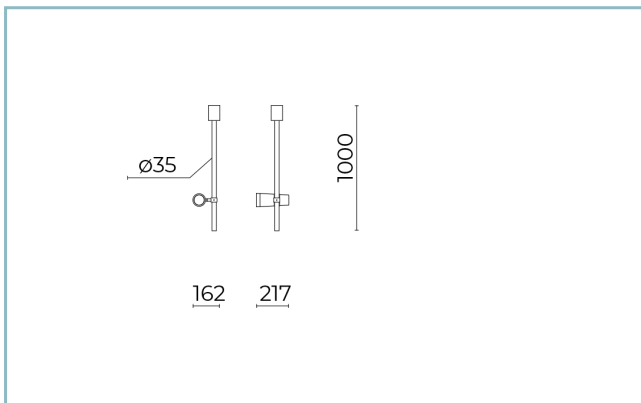




General Features

- Description: LED floodlight
- Insulation class: class III
- Rated voltage: 24Vdc
- Protection Grade: IP66
- Impact protection: IK07
- Power Factor: > 0.9
- Ambient temperature Ta: -30°C +50°C
- Weight: 4.7 kg
- Max exposed surface: 0.13 m²
- Lateral exposed surface: 0.13 m²
- Driver: remote (to be ordered separately)
- Marks and Certifications: CE



Performance Data*	2700 K - 10°	2700 K - 45°
LED Current:	24 mA	24 mA
Source flux:	760 lm	760 lm
Source power:	8.5 W	8.5 W
Source efficiency:	89 lm/W	89 lm/W
Device flux:	140 lm	270 lm
Device power:	8.5 W	8.5 W
Appliance efficiency:	16 lm/W	32 lm/W
Glare Index Category:	D6	D6

Product Sheet

13/02/2024

Kono zoom Ceiling

Size: 1000mm

Options: DALI

Color Temperature: 2700 K

Type of optics: 10°+45°

06KN2A438C7G8

Colour: Sablé 100 Noir

Optical System

Source: LED

Color Temperature: 2700 K

Color Rendering Index (CRI): ≥ 80 Chromatic consistency (SDCM): ≤ 3

Type of optics: 10°+45°

Optical group life: >60.000h @Ta25°C L90B10

Photobiological safety class: EXEMPT GROUP

Normative References

EN60598-1 / EN62471 / EN61547

Installation and maintenance

Installation: ground/ceiling

Pole diameter: \varnothing 76mmTilt: +359°, $\pm 15^\circ$, continuously-adjustable pointing and locking system**Flow adjustment**

Standard

DALI control

X

Materials

Body: die-cast aluminium alloy UNI EN AB 47100 (copper content < 1%)

Seals: expanded anti-age silicone foam

Screws: stainless steel AISI 304

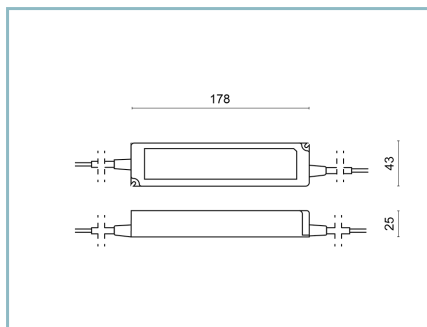
Finish: phospho-chromatation treated and polyester powder-coated in 16 phases to increase weather resistance

Colors

Sablé 100 Noir

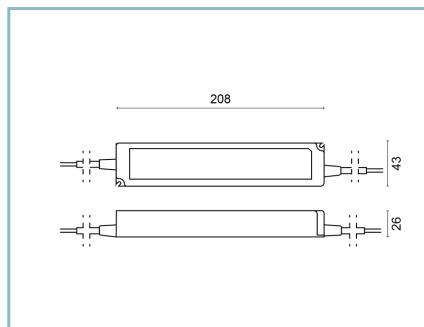
Code: **06KN2A438C7G8**

Mandatory accessories



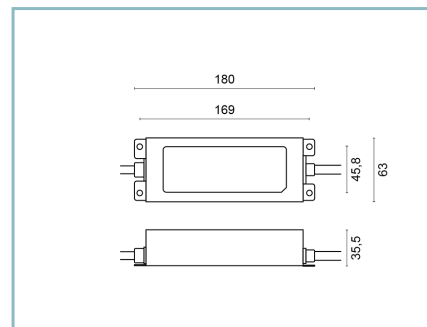
06KN906X0

D14 Driver Kit 20W-24V IP66 N.2 KONO ZOOM
D14 Driver Kit No.2 KONO ZOOM



06KN907X0

D15 Driver Kit 40W-24V IP66 max N.3 KONO ZOOM
D15 Driver Kit No.3 KONO ZOOM



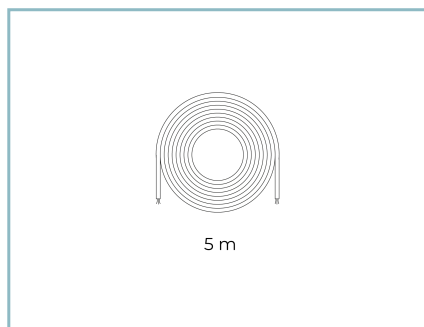
06KN908X0

D16 KIT DRIVER 75W-24V IP66 max N.3 KONO ZOOM DALI
D16 Driver Kit No.3 KONO ZOOM

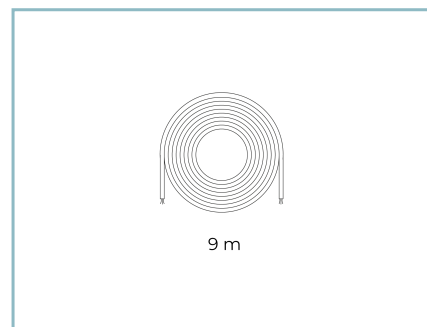
Optional accessories



06KN902X0



06KN903X0



06KN904X0

NOTES

*Performance data

The values indicated in this data sheet are nominal values with a tolerance of +/-7%.

Source flux and source efficiency data refer to the LED module without optics; in case you are interested in the performance of the LED module complete with optical system, you must multiply the data reported by the factor 0.9.

General Data

The characteristics of the product listed may be subject to change and must be confirmed when ordering.

In order to promote constant updating of its products, Cariboni Group reserves the right to make changes without prior notice.