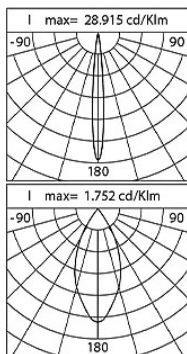
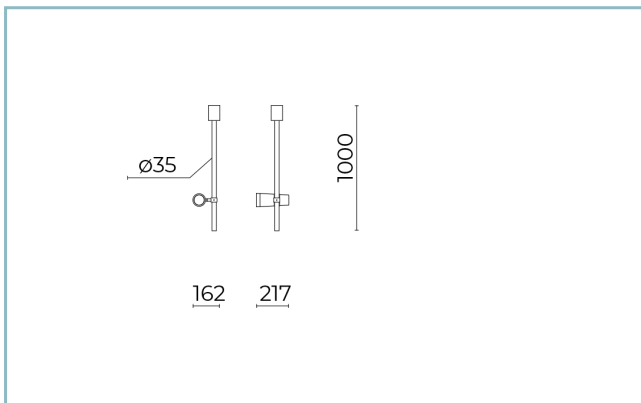




**General Features**

- Description: LED floodlight
- Insulation class: class III
- Rated voltage: 24Vdc
- Protection Grade: IP66
- Impact protection: IK07
- Power Factor: > 0.9
- Ambient temperature Ta: -30°C +50°C
- Weight: 4.7 kg
- Max exposed surface: 0.13 m<sup>2</sup>
- Lateral exposed surface: 0.13 m<sup>2</sup>
- Driver: remote (to be ordered separately)
- Marks and Certifications: CE



| Performance Data*     | TW_2200  | TW_4000  | TW_2200  | TW_4000  |
|-----------------------|----------|----------|----------|----------|
|                       | K - 10°  | K - 10°  | K - 45°  | K - 45°  |
| LED Current:          | 500 mA   | 500 mA   | 500 mA   | 500 mA   |
| Source flux:          | 340 lm   | 385 lm   | 340 lm   | 385 lm   |
| Source power:         | 2.75 W   | 2.75 W   | 2.75 W   | 2.75 W   |
| Source efficiency:    | 124 lm/W | 140 lm/W | 124 lm/W | 140 lm/W |
| Device flux:          | 65 lm    | 75 lm    | 125 lm   | 140 lm   |
| Device power:         | 6 W      | 6 W      | 6 W      | 6 W      |
| Appliance efficiency: | 11 lm/W  | 13 lm/W  | 21 lm/W  | 23 lm/W  |
| Glare Index Category: | D6       | D6       | D6       | D6       |

**Product Sheet**

13/02/2024

**Kono zoom Ceiling**

Size: 1000mm

Options: DALI

Color Temperature: TW 2200 K - 4000 K

Type of optics: 10°+45°

**06KN2A4506C7G8HS6**

Colour: Sablé 100 Noir

**Optical System**

Source: LED

Color Temperature: TW 2200 K - 4000 K

Color Rendering Index (CRI):  $\geq 80$ Chromatic consistency (SDCM):  $\leq 3$ 

Type of optics: 10°+45°

Optical group life: &gt;60.000h @Ta25°C L90B10

Photobiological safety class: EXEMPT GROUP

**Normative References**

EN60598-1 / EN62471 / EN61547

**Installation and maintenance**

Installation: ground/ceiling

Pole diameter:  $\varnothing$  76mmTilt: +359°,  $\pm 15^\circ$ , continuously-adjustable pointing and locking system**Flow adjustment**

Standard

DALI control

X

**Materials**

Body: die-cast aluminium alloy UNI EN AB 47100 (copper content &lt; 1%)

Seals: expanded anti-age silicone foam

Screws: stainless steel AISI 304

Finish: phospho-chromatation treated and polyester powder-coated in 16 phases to increase weather resistance

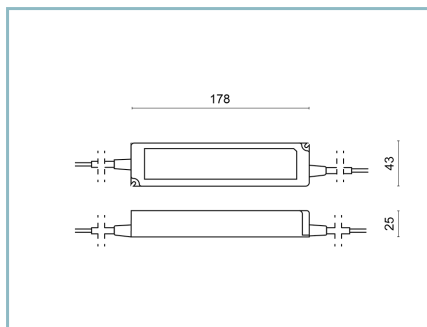
**Colors**

Sablé 100 Noir

Code:

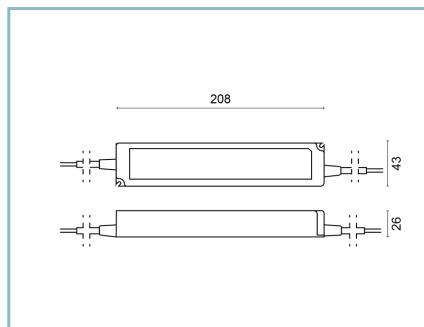
**06KN2A4506C7G8HS6**

### Mandatory accessories



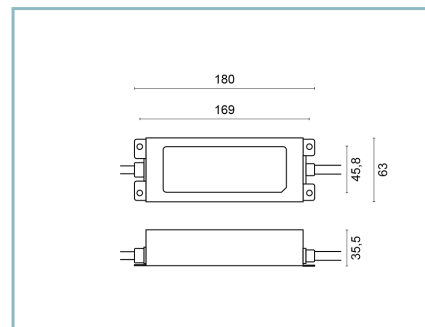
06KN906X0

D14 Driver Kit 20W-24V IP66 N.2 KONO ZOOM  
D14 Driver Kit No.2 KONO ZOOM



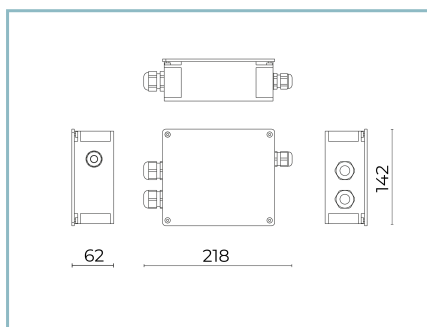
06KN907X0

D15 Driver Kit 40W-24V IP66 max N.3 KONO ZOOM  
D15 Driver Kit No.3 KONO ZOOM



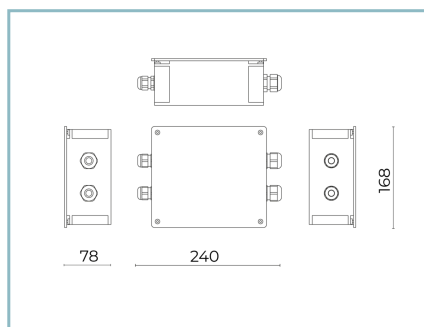
06KN908X0

D16 KIT DRIVER 75W-24V IP66 max N.3 KONO ZOOM DALI  
D16 Driver Kit No.3 KONO ZOOM



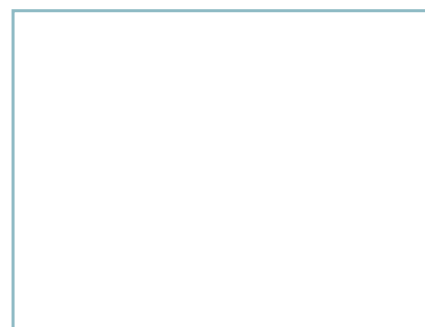
06KI905X0

D9 RGBW dimmer kit - TW DALI 1 module



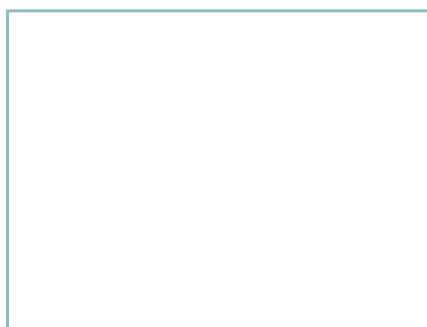
06KI906X0

D10 RGBW dimmer kit - TW DALI 2 modules



06KI907X0

D11 KIT dimmer RGBW - TW DALI 3 modules  
D11 DALI connection kit



06KN909X0

5-Pole Clamp Kit

### Optional accessories

**Product Sheet**

13/02/2024

**Kono zoom Ceiling**

Size: 1000mm

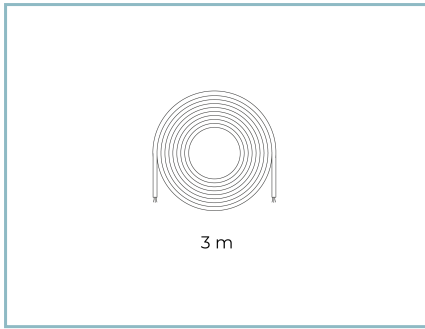
Options: DALI

Color Temperature: TW 2200 K - 4000 K

Type of optics: 10°+45°

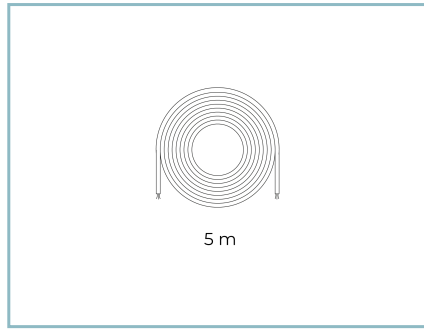
**06KN2A4506C7G8HS6**

Colour: Sablé 100 Noir



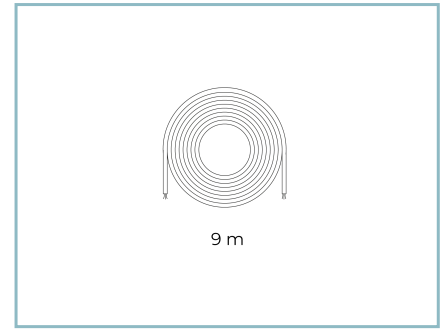
06KI912X0

KINETIC/KONO RGBW-TW 3m cable kit



06KI913X0

KINETIC/KONO RGBW-TW 5m cable kit



06KI914X0

9m KINETIC/KONO RGBW-TW cable kit

**NOTES**

**\*Performance data**

The values indicated in this data sheet are nominal values with a tolerance of +/-7%.

Source flux and source efficiency data refer to the LED module without optics; in case you are interested in the performance of the LED module complete with optical system, you must multiply the data reported by the factor 0.9.

**General Data**

The characteristics of the product listed may be subject to change and must be confirmed when ordering.

In order to promote constant updating of its products, Cariboni Group reserves the right to make changes without prior notice.