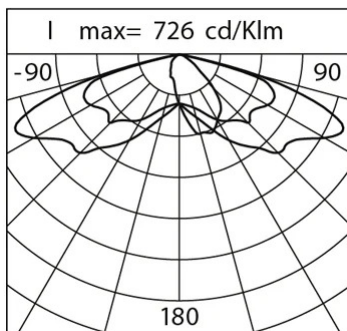
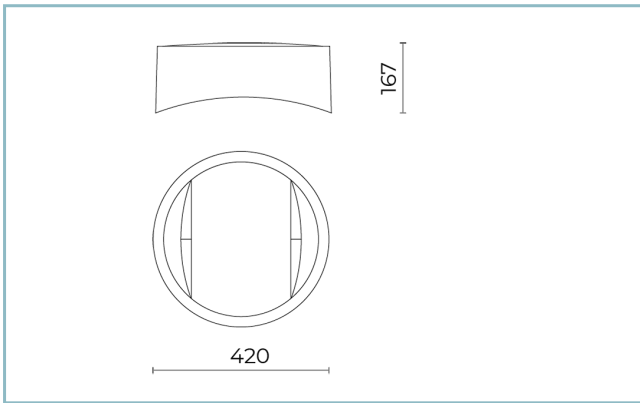




**General Features**

- Description: LED luminaire
- Insulation class: class II
- Rated voltage: 220-240 V 50/60 Hz
- Protection Grade: IP66
- Impact protection: IK09
- Surge protection device: integrated 10kV-10kA, Type 3, equipped with LED signaling and thermofusible for disconnection at the end of life; impulse withstand CL II 10kV DM
- Power Factor: > 0.90
- Ambient temperature Ta: -30°C +50°C
- Weight: 7.50 kg
- Max exposed surface: 0,140 m<sup>2</sup>
- Lateral exposed surface: 0,063 m<sup>2</sup>
- Common mode surge protection: 10 kV
- Overtoltage protection differential mode: 10 kV
- Driver: included
- Driver lifetime: >100.000 h @ Ta 25°C (0,2% / 1000h)
- Marks and Certifications: ENEC / CE



<b>Performance Data*</b>	ST-02	ST-02	ST-02	ST-02	ST-02
	1800K	2200K	2700K	3000K	4000K
LED Current:	270 mA	270 mA	270 mA	270 mA	270 mA
Source flux:	1695 lm	2085 lm	2390 lm	2430 lm	2585 lm
Source power:	13 W	13 W	13 W	13 W	13 W
Source efficiency:	130 lm/W	160 lm/W	184 lm/W	187 lm/W	199 lm/W
Device flux:	1420 lm	1750 lm	2005 lm	2040 lm	2170 lm
Device power:	16 W	16 W	16 W	16 W	16 W
Appliance efficiency:	89 lm/W	109 lm/W	125 lm/W	128 lm/W	136 lm/W
Glare Index Category:	D6	D5	D5	D5	D5

### Optical System

Source: LED R1
Color Temperature: DWL 1800 K - 4000 K
Color Rendering Index (CRI): $\geq 70$
Chromatic consistency (SDCM): $\leq 3$
Type of optics: ST-02 Narrow street
Optical group life: $>100.000$ h @ Ta 25°C L90B10
Photobiological safety class: EXEMPT GROUP
ULOR: 0%
DLOR: 100%
Light intensity category: G*3

### Normative References

EN60598-1 / EN60598-2-3 / EN62471 / EN61547

### Installation and maintenance

Installation: post top / side pole / arm / wall / covered walkway
Pole diameter: $\varnothing 60 - 76 - 102$ mm
Tilt: (ceiling) continuous adjustment $-10^{\circ} +190^{\circ}$ (step $5^{\circ}$ )
$\varnothing$ power cable: $10 \div 14$ mm
Cable Gland: PG16
Replaceable wiring plate: removable plate
Replaceable optical unit: LED disc replacement
Power supply compartment: independent from the optical system

### Flow adjustment

On request

Virtual Midnight Teaching	X
Constant flow output (CLO)	X
DALI control	X
Mains voltage variation	X
Power line telemanagement (PLC)	X
Wireless remote management	X

### Materials

Body: die-cast aluminium alloy UNI EN AB 47100 (copper content $< 1\%$ )
Screen: tempered flat glass
Lenses: high-transparency PMMA
Fixing system: die-cast aluminium alloy UNI EN AB 47100 (copper content $< 1\%$ )
Seals: expanded anti-age silicone foam
Screws: stainless steel AISI 304
Wiring plate: zinc-plated steel
Finish: phospho-chromatation treated and polyester powder-coated in 16 phases to increase weather resistance

### Colors

■ Sablé 100 Noir	Code: <b>06KS2B227414CDWL</b>
------------------	-------------------------------

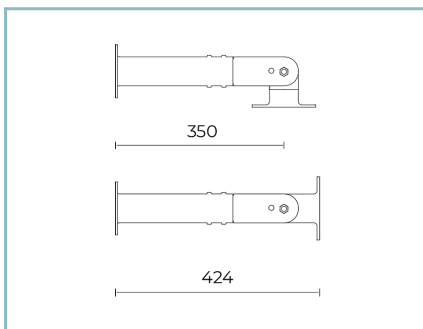
### Mandatory accessories



06KS909C0

B89 Connector 4 way IP68

### Optional accessories



06KS905C0

B85-P Wall-mounted arm /  
ceiling-mounted. L=350 mm. Colour:  
Sablé 100 Noir.

### NOTES

#### \*Performance data

The values indicated in this data sheet are nominal values with a tolerance of +/-7%.

Source flux and source efficiency data refer to the LED module without optics; in case you are interested in the performance of the LED module complete with optical system, you must multiply the data reported by the factor 0.9.

#### General Data

The characteristics of the product listed may be subject to change and must be confirmed when ordering.

In order to promote constant updating of its products, Cariboni Group reserves the right to make changes without prior notice.