



General Features

Description: LED luminaire

Insulation class: class II

Rated voltage: 220-240 V 50/60 Hz

Protection Grade: IP66

Impact protection: IK09

Surge protection device: integrated 10kV-10kA, Type 3, equipped with LED signaling and thermofusible for disconnection at the end of life; impulse withstand CL II 10kV DM

Power Factor: > 0.90

Ambient temperature Ta: -30°C +50°C

Weight: 7.50 kg

Max exposed surface: 0,140 m²

Lateral exposed surface: 0,063 m²

Common mode surge protection: 10 kV

Overtoltage protection differential mode: 10 kV

Driver: included

Driver lifetime: >100.000 h @ Ta 25°C (0,2% / 1000h)

Marks and Certifications: ENEC / CE



| Performance Data* | LT-63 | LT-63 | LT-63 | LT-63 | LT-63 |
|-----------------------|----------|----------|----------|----------|----------|
| | 1800K | 2200K | 2700K | 3000K | 4000K |
| LED Current: | 530 mA | 530 mA | 530 mA | 530 mA | 530 mA |
| Source flux: | 2890 lm | 3555 lm | 4080 lm | 4150 lm | 4420 lm |
| Source power: | 25.5 W | 25.5 W | 25.5 W | 25.5 W | 25.5 W |
| Source efficiency: | 113 lm/W | 139 lm/W | 160 lm/W | 163 lm/W | 173 lm/W |
| Device flux: | 2425 lm | 2985 lm | 3425 lm | 3485 lm | 3710 lm |
| Device power: | 30.5 W | 30.5 W | 30.5 W | 30.5 W | 30.5 W |
| Appliance efficiency: | 80 lm/W | 98 lm/W | 112 lm/W | 114 lm/W | 122 lm/W |
| Glare Index Category: | D6 | D6 | D5 | D5 | D5 |

Optical System

| |
|---|
| Source: LED R1 |
| Color Temperature: DWL 1800 K - 4000 K |
| Color Rendering Index (CRI): ≥ 70 |
| Chromatic consistency (SDCM): ≤ 3 |
| Type of optics: LT-63 Asymmetric beam |
| Optical group life: >100.000 h @ Ta 25°C L90B10 |
| Photobiological safety class: EXEMPT GROUP |
| ULOR: 0% |
| DLOR: 100% |
| Light intensity category: G*6 |

Normative References

| |
|---|
| EN60598-1 / EN60598-2-3 / EN62471 / EN61547 |
|---|

Installation and maintenance

| |
|---|
| Installation: post top / side pole / arm / wall / covered walkway |
| Pole diameter: \varnothing 60 - 76 - 102 mm |
| Tilt: (ceiling) continuous adjustment -10° +190° (step 5°) |
| \varnothing power cable: 10 \div 14 mm |
| Cable Gland: PG16 |
| Replaceable wiring plate: removable plate |
| Replaceable optical unit: LED disc replacement |
| Power supply compartment: independent from the optical system |

Flow adjustment

On request

| | |
|---------------------------------|---|
| Virtual Midnight Teaching | X |
| Constant flow output (CLO) | X |
| DALI control | X |
| Mains voltage variation | X |
| Power line telemanagement (PLC) | X |
| Wireless remote management | X |

Materials

| |
|--|
| Body: die-cast aluminium alloy UNI EN AB 47100 (copper content < 1%) |
| Screen: tempered flat glass |
| Lenses: high-transparency PMMA |
| Fixing system: die-cast aluminium alloy UNI EN AB 47100 (copper content < 1%) |
| Seals: expanded anti-age silicone foam |
| Screws: stainless steel AISI 304 |
| Wiring plate: zinc-plated steel |
| Finish: phospho-chromatation treated and polyester powder-coated in 16 phases to increase weather resistance |

Colors

| | |
|------------------|-------------------------------|
| ■ Sablé 100 Noir | Code: 06KS2B253415CDWL |
|------------------|-------------------------------|

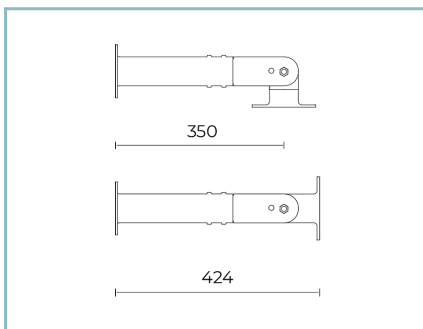
Mandatory accessories



06KS909C0

B89 Connector 4 way IP68

Optional accessories



06KS905C0

B85-P Wall-mounted arm /
ceiling-mounted. L=350 mm. Colour:
Sablé 100 Noir.

NOTES

*Performance data

The values indicated in this data sheet are nominal values with a tolerance of +/-7%.

Source flux and source efficiency data refer to the LED module without optics; in case you are interested in the performance of the LED module complete with optical system, you must multiply the data reported by the factor 0.9.

General Data

The characteristics of the product listed may be subject to change and must be confirmed when ordering.

In order to promote constant updating of its products, Cariboni Group reserves the right to make changes without prior notice.