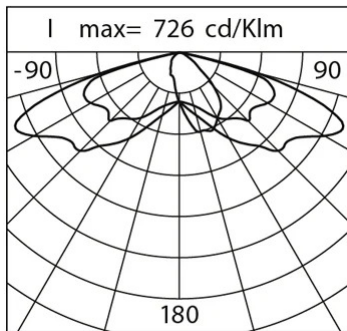
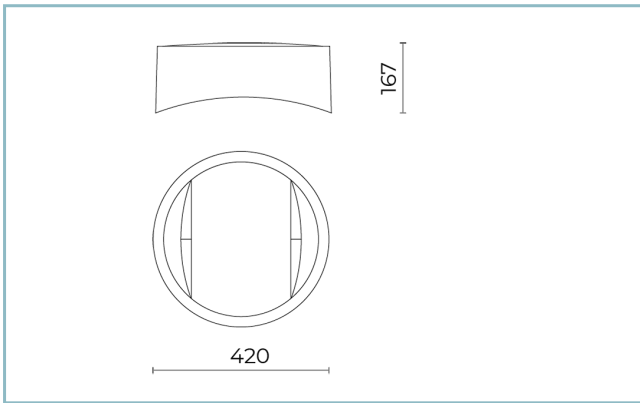




**General Features**

- Description: LED luminaire
- Insulation class: class II
- Rated voltage: 220-240 V 50/60 Hz
- Protection Grade: IP66
- Impact protection: IK09
- Surge protection device: integrated 10kV-10kA, Type 3, equipped with LED signaling and thermofusible for disconnection at the end of life; impulse withstand CL II 10kV DM
- Power Factor: > 0.90
- Ambient temperature Ta: -30°C +50°C
- Weight: 7.50 kg
- Max exposed surface: 0,140 m<sup>2</sup>
- Lateral exposed surface: 0,063 m<sup>2</sup>
- Common mode surge protection: 10 kV
- Overtoltage protection differential mode: 10 kV
- Driver: included
- Driver lifetime: >100.000 h @ Ta 25°C (0,2% / 1000h)
- Marks and Certifications: ENEC / CE



Performance Data*	ST-02	ST-02	ST-02	ST-02	ST-02
	1800K	2200K	2700K	3000K	4000K
LED Current:	700 mA	700 mA	700 mA	700 mA	700 mA
Source flux:	5655 lm	6965 lm	7985 lm	8135 lm	8650 lm
Source power:	50.5 W	50.5 W	50.5 W	50.5 W	50.5 W
Source efficiency:	112 lm/W	138 lm/W	158 lm/W	161 lm/W	171 lm/W
Device flux:	4750 lm	5850 lm	6705 lm	6830 lm	7265 lm
Device power:	57 W	57 W	57 W	57 W	57 W
Appliance efficiency:	83 lm/W	103 lm/W	118 lm/W	120 lm/W	127 lm/W
Glare Index Category:	D4	D3	D3	D3	D3

### Optical System

Source: LED R2

Color Temperature: DWL 1800 K - 4000 K

Color Rendering Index (CRI):  $\geq 70$

Chromatic consistency (SDCM):  $\leq 3$

Type of optics: ST-02 Narrow street

Optical group life:  $>100.000$  h @ Ta 25°C L90B10

Photobiological safety class: EXEMPT GROUP

ULOR: 0%

DLOR: 100%

Light intensity category: G\*3

### Normative References

EN60598-1 / EN60598-2-3 / EN62471 / EN61547

### Installation and maintenance

Installation: post top / side pole / arm / wall / covered walkway

Pole diameter:  $\varnothing 60 - 76 - 102$  mm

Tilt: (ceiling) continuous adjustment  $-10^{\circ} +190^{\circ}$  (step  $5^{\circ}$ )

$\varnothing$  power cable:  $10 \div 14$  mm

Cable Gland: PG16

Replaceable wiring plate: removable plate

Replaceable optical unit: LED disc replacement

Power supply compartment: independent from the optical system

### Flow adjustment

On request

Virtual Midnight Teaching

X

Constant flow output (CLO)

X

DALI control

X

Mains voltage variation

X

Power line telemanagement (PLC)

X

Wireless remote management

X

### Materials

Body: die-cast aluminium alloy UNI EN AB 47100 (copper content  $< 1\%$ )

Screen: tempered flat glass

Lenses: high-transparency PMMA

Fixing system: die-cast aluminium alloy UNI EN AB 47100 (copper content  $< 1\%$ )

Seals: expanded anti-age silicone foam

Screws: stainless steel AISI 304

Wiring plate: zinc-plated steel

Finish: phospho-chromatation treated and polyester powder-coated in 16 phases to increase weather resistance

### Colors

■ Sablé 100 Noir

Code: **06KS2C470414CDWL**

### Mandatory accessories



06KS909C0

B89 Connector 4 way IP68

### Optional accessories



06KS905C0

B85-P Wall-mounted arm /  
ceiling-mounted. L=350 mm. Colour:  
Sablé 100 Noir.

### NOTES

#### \*Performance data

The values indicated in this data sheet are nominal values with a tolerance of +/-7%.

Source flux and source efficiency data refer to the LED module without optics; in case you are interested in the performance of the LED module complete with optical system, you must multiply the data reported by the factor 0.9.

#### General Data

The characteristics of the product listed may be subject to change and must be confirmed when ordering.

In order to promote constant updating of its products, Cariboni Group reserves the right to make changes without prior notice.