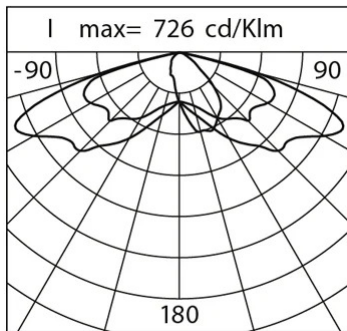
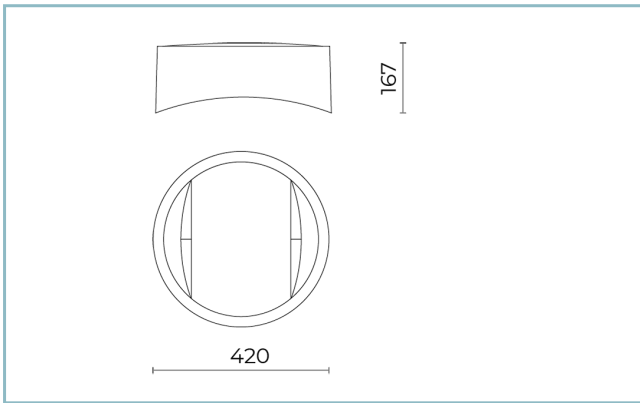




**General Features**

- Description: LED luminaire
- Insulation class: class II
- Rated voltage: 220-240 V 50/60 Hz
- Protection Grade: IP66
- Impact protection: IK09
- Surge protection device: integrated 10kV-10kA, Type 3, equipped with LED signaling and thermofusible for disconnection at the end of life; impulse withstand CL II 10kV DM
- Power Factor: > 0.90
- Ambient temperature Ta: -30°C +50°C
- Weight: 7.50 kg
- Max exposed surface: 0,140 m<sup>2</sup>
- Lateral exposed surface: 0,063 m<sup>2</sup>
- Common mode surge protection: 10 kV
- Overtoltage protection differential mode: 10 kV
- Driver: included
- Driver lifetime: >100.000 h @ Ta 25°C (0,2% / 1000h)
- Marks and Certifications: ENEC / CE



Performance Data*	ST-02	ST-02	ST-02	ST-02	ST-02
	1800K	2200K	2700K	3000K	4000K
LED Current:	910 mA	910 mA	910 mA	910 mA	910 mA
Source flux:	7820 lm	9635 lm	11040 lm	11240 lm	11960 lm
Source power:	65.5 W	65.5 W	65.5 W	65.5 W	65.5 W
Source efficiency:	119 lm/W	147 lm/W	169 lm/W	172 lm/W	183 lm/W
Device flux:	6565 lm	8090 lm	9270 lm	9440 lm	10045 lm
Device power:	73 W	73 W	73 W	73 W	73 W
Appliance efficiency:	90 lm/W	111 lm/W	127 lm/W	129 lm/W	138 lm/W
Glare Index Category:	D3	D3	D3	D3	D3

### Optical System

Source: LED R3  
Color Temperature: DWL 1800 K - 4000 K  
Color Rendering Index (CRI):  $\geq 70$   
Chromatic consistency (SDCM):  $\leq 3$   
Type of optics: ST-02 Narrow street  
Optical group life:  $>100.000$  h @ Ta 25°C L90B10  
Photobiological safety class: EXEMPT GROUP  
ULOR: 0%  
DLOR: 100%  
Light intensity category: G\*3

### Normative References

EN60598-1 / EN60598-2-3 / EN62471 / EN61547

### Installation and maintenance

Installation: post top / side pole / arm / wall / covered walkway  
Pole diameter:  $\varnothing 60 - 76 - 102$  mm  
Tilt: (ceiling) continuous adjustment  $-10^{\circ} +190^{\circ}$  (step  $5^{\circ}$ )  
 $\varnothing$  power cable:  $10 \div 14$  mm  
Cable Gland: PG16  
Replaceable wiring plate: removable plate  
Replaceable optical unit: LED disc replacement  
Power supply compartment: independent from the optical system

### Flow adjustment

On request

Virtual Midnight Teaching	X
Constant flow output (CLO)	X
DALI control	X
Mains voltage variation	X
Power line telemanagement (PLC)	X
Wireless remote management	X

### Materials

Body: die-cast aluminium alloy UNI EN AB 47100 (copper content  $< 1\%$ )

Screen: tempered flat glass

Lenses: high-transparency PMMA

Fixing system: die-cast aluminium alloy UNI EN AB 47100 (copper content  $< 1\%$ )

Seals: expanded anti-age silicone foam

Screws: stainless steel AISI 304

Wiring plate: zinc-plated steel

Finish: phospho-chromatation treated and polyester powder-coated in 16 phases to increase weather resistance

### Colors

■ Sablé 100 Noir

Code: **06KS2D691414CDWL**

### Mandatory accessories



06KS909C0

B89 Connector 4 way IP68

### Optional accessories



06KS905C0

B85-P Wall-mounted arm /  
ceiling-mounted. L=350 mm. Colour:  
Sablé 100 Noir.

### NOTES

#### \*Performance data

The values indicated in this data sheet are nominal values with a tolerance of +/-7%.

Source flux and source efficiency data refer to the LED module without optics; in case you are interested in the performance of the LED module complete with optical system, you must multiply the data reported by the factor 0.9.

#### General Data

The characteristics of the product listed may be subject to change and must be confirmed when ordering.

In order to promote constant updating of its products, Cariboni Group reserves the right to make changes without prior notice.