



### General Features

|                                           |                                                                                                                                                   |
|-------------------------------------------|---------------------------------------------------------------------------------------------------------------------------------------------------|
| Description:                              | LED luminaire                                                                                                                                     |
| Insulation class:                         | class II                                                                                                                                          |
| Rated voltage:                            | 220-240 V 50/60 Hz                                                                                                                                |
| Protection Grade:                         | IP66                                                                                                                                              |
| Impact protection:                        | IK09                                                                                                                                              |
| Surge protection device:                  | integrated 10kV-10kA, Type 3, equipped with LED signaling and thermofusible for disconnection at the end of life; impulse withstand CL II 10kV DM |
| Power Factor:                             | > 0.90                                                                                                                                            |
| Ambient temperature Ta:                   | -30°C +50°C                                                                                                                                       |
| Weight:                                   | 7.50 kg                                                                                                                                           |
| Max exposed surface:                      | 0,140 m <sup>2</sup>                                                                                                                              |
| Lateral exposed surface:                  | 0,063 m <sup>2</sup>                                                                                                                              |
| Common mode surge protection:             | 10 kV                                                                                                                                             |
| Overtoltage protection differential mode: | 10 kV                                                                                                                                             |
| Driver:                                   | included                                                                                                                                          |
| Driver lifetime:                          | >100.000 h @ Ta 25°C (0,2% / 1000h)                                                                                                               |
| Marks and Certifications:                 | ENEC / CE                                                                                                                                         |

### Performance Data\*

|                       |          |
|-----------------------|----------|
| Source flux:          | 5260 lm  |
| Source power:         | 32 W     |
| Source efficiency:    | 164 lm/W |
| Device flux:          | 4510 lm  |
| Device power:         | 36 W     |
| Appliance efficiency: | 125 lm/W |
| Glare Index Category: | D4       |

### Optical System

|                                                   |
|---------------------------------------------------|
| Source: LED R2                                    |
| Color Temperature: 2200 K                         |
| Color Rendering Index (CRI): $\geq 70$            |
| Chromatic consistency (SDCM): $\leq 3$            |
| Type of optics: ST-02 Narrow street               |
| Optical group life: $>100.000$ h @ Ta 25°C L90B10 |
| Photobiological safety class: EXEMPT GROUP        |
| ULOR: 0%                                          |
| DLOR: 100%                                        |
| Light intensity category: G*3                     |
| BUG rating: B1-U0-G1                              |

### Normative References

EN60598-1 / EN60598-2-3 / EN62471 / EN61547

### Installation and maintenance

|                                                                                                                                                                                                                                                                                                                                                                                                                                                                                            |
|--------------------------------------------------------------------------------------------------------------------------------------------------------------------------------------------------------------------------------------------------------------------------------------------------------------------------------------------------------------------------------------------------------------------------------------------------------------------------------------------|
| Installation: post top / side pole / arm / wall                                                                                                                                                                                                                                                                                                                                                                                                                                            |
| Pole diameter: $\varnothing 60 - 76 - 102$ mm                                                                                                                                                                                                                                                                                                                                                                                                                                              |
| Tilt: (pole side, wall) continuous / stepped adjustment $-10^{\circ}$ $+190^{\circ}$ (step $5^{\circ}$ )                                                                                                                                                                                                                                                                                                                                                                                   |
| Fixing: upwards installation on a pole arm (for poles $\varnothing 60-76$ mm or poles $\varnothing 102$ mm) with adjustable joint made of die-cast aluminium alloy UNI EN AB 47100 (copper content $< 1\%$ ), polyester powder coated (Sablé 100 Noir); L-shaped joint made of die-cast aluminium alloy UNI EN AB 47100 (copper content $< 1\%$ ), polyester powder coated (Sablé 100 Noir), pole $\varnothing 76$ mm, with post-top reduction $\varnothing 60$ mm H. $\varnothing 90$ mm. |
| Wiring: pre-wired product                                                                                                                                                                                                                                                                                                                                                                                                                                                                  |
| $\varnothing$ power cable: $10 \div 14$ mm                                                                                                                                                                                                                                                                                                                                                                                                                                                 |
| Cable Gland: PG16                                                                                                                                                                                                                                                                                                                                                                                                                                                                          |
| Replaceable wiring plate: removable plate                                                                                                                                                                                                                                                                                                                                                                                                                                                  |
| Replaceable optical unit: LED disc replacement                                                                                                                                                                                                                                                                                                                                                                                                                                             |
| Power supply compartment: independent from the optical system                                                                                                                                                                                                                                                                                                                                                                                                                              |

### Flow adjustment

On request

|                                 |   |
|---------------------------------|---|
| Virtual Midnight Teaching       | X |
| Constant flow output (CLO)      | X |
| DALI control                    | X |
| Mains voltage variation         | X |
| Power line telemanagement (PLC) | X |
| Wireless remote management      | X |

### Materials

|                                                                                                              |
|--------------------------------------------------------------------------------------------------------------|
| Body: die-cast aluminium alloy UNI EN AB 47100 (copper content $< 1\%$ )                                     |
| Screen: tempered flat glass                                                                                  |
| Lenses: high-transparency PMMA                                                                               |
| Fixing system: die-cast aluminium alloy UNI EN AB 47100 (copper content $< 1\%$ )                            |
| Seals: expanded anti-age silicone foam                                                                       |
| Screws: stainless steel AISI 304                                                                             |
| Wiring plate: zinc-plated steel                                                                              |
| Finish: phospho-chromatation treated and polyester powder-coated in 16 phases to increase weather resistance |

### Colors

|                  |                               |
|------------------|-------------------------------|
| ■ Sablé 100 Noir | Code: <b>06KS2C436114CHM4</b> |
|------------------|-------------------------------|

## Mandatory accessories



06KS909C0

B89 Connector 4 way IP68

## Optional accessories



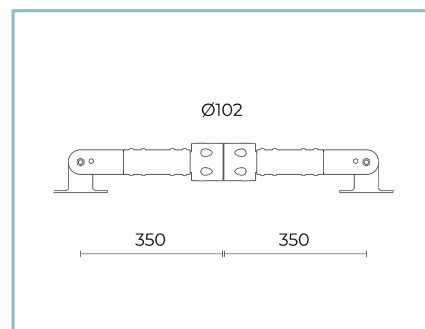
06KS912C0

B92 Single arm  
for poles Ø 102 mm. L=350 mm. Colour:  
Sablé 100 Noir.



06KS913C0

B93 Single arm  
for poles Ø 102 mm. L=700 mm.  
Colour: Sablé 100 Noir.



06KS914C0

B94 Double arm  
for poles Ø 102 mm. L=350 mm. Colour:  
Sablé 100 Noir.



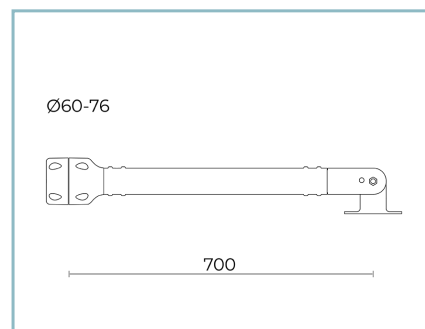
06KS915C0

B95 Double arm  
for poles Ø 102 mm. L=700 mm.  
Colour: Sablé 100 Noir.



06KS907C0

B87 Single arm  
for poles Ø 60-76 mm. L=350 mm.  
Colour: Sablé 100 Noir.



06KS908C0

B88 Single arm  
for poles Ø 60-76 mm. L=700 mm.  
Colour: Sablé 100 Noir.



06KS910CO

B90 Double arm  
for poles Ø 60-76 mm. L=350 mm.  
Colour: Sablé 100 Noir.



06KS911CO

B91 Double arm  
for poles Ø 60-76 mm. L=700 mm.  
Colour: Sablé 100 Noir.

#### NOTES

##### \*Performance data

The values indicated in this data sheet are nominal values with a tolerance of +/-7%.

Source flux and source efficiency data refer to the LED module without optics; in case you are interested in the performance of the LED module complete with optical system, you must multiply the data reported by the factor 0.9.

##### General Data

The characteristics of the product listed may be subject to change and must be confirmed when ordering.

In order to promote constant updating of its products, Cariboni Group reserves the right to make changes without prior notice.