



### General Features

Description: LED luminaire

Insulation class: class II

Rated voltage: 220-240 V 50/60 Hz

Protection Grade: IP66

Impact protection: IK09

Surge protection device: integrated 10kV-10kA, Type 3, equipped with LED signaling and thermofusible for disconnection at the end of life; impulse withstand CL II 10kV DM

Power Factor: > 0.90

Ambient temperature Ta: -30°C +50°C

Weight: 3.50 kg

Max exposed surface: 0,06 m<sup>2</sup>

Lateral exposed surface: 0,030 m<sup>2</sup>

Common mode surge protection: 10 kV

Overtoltage protection differential mode: 10 kV

Driver: included

Driver lifetime: >100.000 h @ Ta 25°C (0,2% / 1000h)

Marks and Certifications: ENEC / CE

### Performance Data\*

Source flux:	1765 lm
Source power:	9 W
Source efficiency:	196 lm/W
Device flux:	1510 lm
Device power:	12 W
Appliance efficiency:	125 lm/W
Glare Index Category:	D6

### Optical System

Source: LED R1  
Color Temperature: 2700 K  
Color Rendering Index (CRI):  $\geq 70$   
Chromatic consistency (SDCM):  $\leq 3$   
Type of optics: LT-C1 Cycle path  
Optical group life:  $>100.000$  h @ Ta 25°C L90B10  
Photobiological safety class: EXEMPT GROUP  
ULOR: 0%  
DLOR: 100%  
Light intensity category: G\*3  
BUG rating: B1-U0-G0

### Normative References

EN60598-1 / EN60598-2-3 / EN62471 / EN61547

### Installation and maintenance

Installation: side pole / arm / wall  
Pole diameter:  $\varnothing$  60 - 76 - 102 mm  
Tilt: (pole side, wall) continuous / stepped adjustment  $-10^{\circ}$   $+190^{\circ}$  (step  $5^{\circ}$ )  
 $\varnothing$  power cable:  $10 \div 14$  mm  
Cable Gland: PG16  
Replaceable wiring plate: removable plate  
Replaceable optical unit: LED disc replacement  
Power supply compartment: independent from the optical system

### Flow adjustment

On request

Virtual Midnight Teaching	X
Constant flow output (CLO)	X
DALI control	X
Mains voltage variation	X
Power line telemanagement (PLC)	X
Wireless remote management	X

### Materials

Body: die-cast aluminium alloy UNI EN AB 47100 (copper content  $< 1\%$ )  
Screen: tempered flat glass  
Lenses: high-transparency PMMA  
Fixing system: die-cast aluminium alloy UNI EN AB 47100 (copper content  $< 1\%$ )  
Seals: expanded anti-age silicone foam  
Screws: stainless steel AISI 304  
Wiring plate: zinc-plated steel  
Finish: phospho-chromatation treated and polyester powder-coated in 16 phases to increase weather resistance

### Colors

■ Sablé 100 Noir Code: **06KS1B221827CHM4**

### Mandatory accessories



06KS903C0

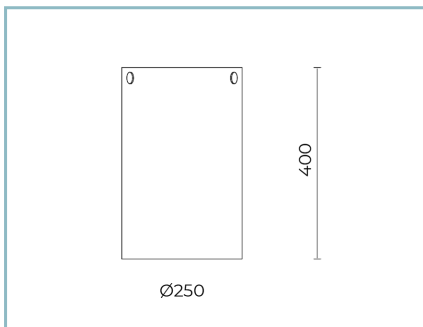
B79 Fastening kit on  $\varnothing$  48-60 mm  
pastoral arms.  
Colour: Sablé 100 Noir.



06KS909C0

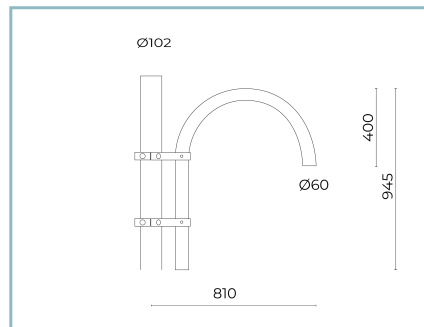
B89 Connector 4 way IP68

### Optional accessories



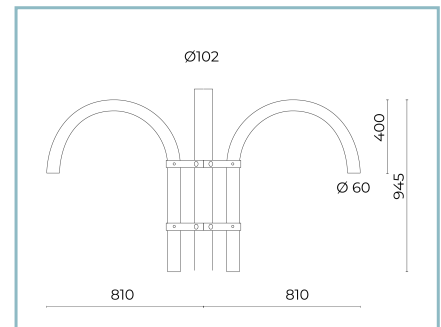
06ND901Y0

Diffuser  
made of transparent polycarbonate



01AK935C0

B15 Single curved arm  
 $\varnothing$  60 mm for poles  $\varnothing$  102 mm. L=810  
mm. Colour: Sablé 100 Noir.



01AK936C0

B16 Double curved arm  
 $\varnothing$  60 mm for poles  $\varnothing$  102 mm. L=810  
mm. Colour: Sablé 100 Noir.

### NOTES

#### \*Performance data

The values indicated in this data sheet are nominal values with a tolerance of +/-7%.

Source flux and source efficiency data refer to the LED module without optics; in case you are interested in the performance of the LED module complete with optical system, you must multiply the data reported by the factor 0.9.

#### General Data

The characteristics of the product listed may be subject to change and must be confirmed when ordering.

In order to promote constant updating of its products, Cariboni Group reserves the right to make changes without prior notice.