

**Product Sheet**

31.01.25

**Kyros pole system**

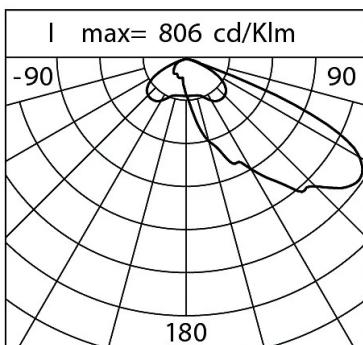
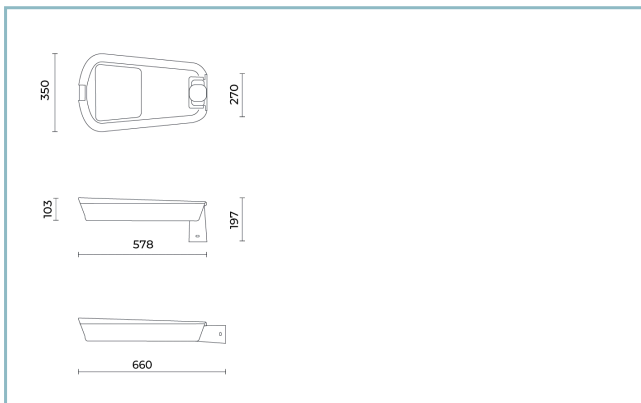
Size: small

Color Temperature: 4000 K

Type of optics: LT-63 Asymmetric beam

**KY1D60AA763152AAM400**

Colour: Grey RAL9006

**General Features**

Description: LED luminaire for lighting streets and paths

Insulation class: class II

Rated voltage: 220-240 V / 50-60 Hz

Protection Grade: IP66

Impact protection: IK09

Surge protection device: integrated 10kV-10kA

Power Factor: > 0.95

Ambient temperature Ta: -30°C +50°C

Weight: 7.4 kg

Max exposed surface: 0.179 m<sup>2</sup>

Lateral exposed surface: 0.059 m<sup>2</sup>

Common mode surge protection: 10 kV

Overvoltage protection differential mode: 10 kV

Driver: included

Driver lifetime: F10 >100.000h @Ta25°C

Marks and Certifications: ENEC / CE

**Performance Data\***

LED Current:	630 mA
Source flux:	13350 lm
Source power:	62.5 W
Source efficiency:	214 lm/W
Device flux:	11480 lm
Device power:	68 W
Appliance efficiency:	169 lm/W
Glare Index Category:	D5

### Optical System

Source: LED R3
Color Temperature: 4000 K
Color Rendering Index (CRI): 70
Chromatic consistency (SDCM): ≤ 3
Type of optics: LT-63 Asymmetric beam
Optical group life: >100.000 h @ Ta 25°C L90B10
Photobiological safety class: EXEMPT GROUP
ULOR: 0
DLOR: 1
Light intensity category: G*6
BUG rating: B2-U0-G2

### Normative References

EN60598-1, EN60598-2-3, EN61547; EN62471, EN55015, EN61000-3-2, EN61000-3-3

### Installation and maintenance

Installation: post top / post top side
Pole diameter: Ø46 - Ø 60 mm
Ø power cable: 10 ÷ 14 mm
Cable Gland: PG16
Screen opening: Yes
Power supply compartment: independent from the optical group

### Flow adjustment

	Standard	On request
Virtual Midnight Teaching	X	
Arrangement for Zhaga connector (Book 18)		X
Constant flow output (CLO)		X
Adjusting 1-10V		X
DALI control		X
Mains voltage variation		X
Pilot line		X
Power line telemanagement (PLC)		X
Wireless remote management		X
Emergency lighting		X
Provision for motion/light sensors		X

### Materials

Body: aluminum alloy die casting UNI EN AB 47100 (copper content < 1%)
Screen: technopolymer
Lenses: PMMA with high transparency
Seals: anti-aging silicone
Screws: stainless steel
Finish: phosphochromating and polyester powder coating made in 16 steps for the best weathering resistance

### Colors

■ Grey RAL9006	Code: <b>KY1D60AA763152AAM400</b>
----------------	--------------------------------------

---

**Product Sheet**

31.01.25

**Kyros pole system**

Size: small

Color Temperature: 4000 K

Type of optics: LT-63 Asymmetric beam

**KY1D60AA763152AAM400**Colour: Grey RAL9006

---

---

**NOTES****\*Performance data**

The values indicated in this data sheet are nominal values with a tolerance of +/-7%.

Source flux and source efficiency data refer to the LED module without optics; in case you are interested in the performance of the LED module complete with optical system, you must multiply the data reported by the factor 0.9.

**General Data**

The characteristics of the product listed may be subject to change and must be confirmed when ordering.

In order to promote constant updating of its products, Cariboni Group reserves the right to make changes without prior notice.