



**General Features**

Description: LED fitting for lighting paths and urban spaces

Insulation class: class II

Rated voltage: 220-240 V 50/60 Hz

Protection Grade: IP66

Impact protection: IK09

Surge protection device: integrated 10kV-10kA

Power Factor: > 0.95

Ambient temperature Ta: -30°C +50°C

Weight: 6 kg

Max exposed surface: 0.119 m<sup>2</sup>

Lateral exposed surface: 0.026 m<sup>2</sup>

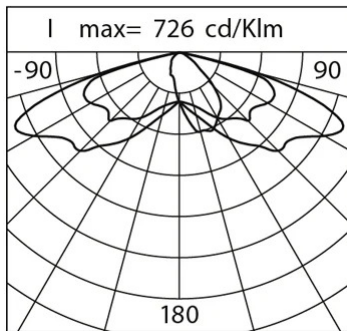
Common mode surge protection: 10 kV

Overvoltage protection differential mode: 10 kV

Driver: included

Driver lifetime: F10 >100.000h @Ta25°C

Marks and Certifications: ENEC / ENEC+ / CE



**Performance Data\***

	ST-02 1800K	ST-02 2200K	ST-02 2700K	ST-02 3000K	ST-02 4000K
LED Current:	530 mA	530 mA	530 mA	530 mA	530 mA
Source flux:	2890 lm	3555 lm	4080 lm	4150 lm	4420 lm
Source power:	25.5 W	25.5 W	25.5 W	25.5 W	25.5 W
Source efficiency:	113 lm/W	139 lm/W	160 lm/W	163 lm/W	173 lm/W
Device flux:	2425 lm	2985 lm	3425 lm	3485 lm	3710 lm
Device power:	30.5 W	30.5 W	30.5 W	30.5 W	30.5 W
Appliance efficiency:	80 lm/W	98 lm/W	112 lm/W	114 lm/W	122 lm/W
Glare Index Category:	D5	D5	D5	D4	D4

### Optical System

Source: LED R1
Color Temperature: DWL 1800 K - 4000 K
Color Rendering Index (CRI): $\geq 70$
Chromatic consistency (SDCM): $\leq 3$
Type of optics: ST-02 Narrow street
Optical group life: >100.000h @ Ta 25°C L90B10
Photobiological safety class: EXEMPT GROUP
ULOR: 0%
DLOR: 100%
Light intensity category: G*3

### Normative References

EN60598-1, EN60598-2-3, EN61547; EN62471, EN55015, EN61000-3-2, EN61000-3-3

### Installation and maintenance

Installation: pole side, wall-mounted, post top
Pole diameter: $\varnothing 60 - 76 - 102$ mm
Tilt: (wall-mounted) fixed or adjustable installation; (pole side) with adjustable joint can be tilted from $-70^\circ$ to $+90^\circ$ and rotated by $0^\circ / 180^\circ$ . The pointing and locking system is continuously adjustable.
$\varnothing$ power cable: $10 \div 14$ mm
Cable Gland: PG16
Power supply compartment: independent from the optical group

### Flow adjustment

On request

Virtual Midnight Teaching	X
Arrangement for Zhaga connector (Book 18)	X
Constant flow output (CLO)	X
Adjusting 1-10V	X
DALI control	X
Mains voltage variation	X
Wireless remote management	X
Provision for motion/light sensors	X

### Materials

Body: die-cast aluminium alloy UNI EN AB 47100 (copper content < 1%)
Screen: tempered flat glass 4 mm
Lenses: high-transparency PMMA
Fixing system: die-cast aluminium alloy UNI EN AB 47100 (copper content < 1%)
Seals: anti-age silicone
Screws: stainless steel AISI 304
Finish: phospho-chromatation treated and polyester powder-coated in 16 phases to increase weather resistance

### Colors

■ Sablé 100 Noir	Code: <b>06LN2B253414CDWL</b>
------------------	-------------------------------

### Mandatory accessories



06LN901C0

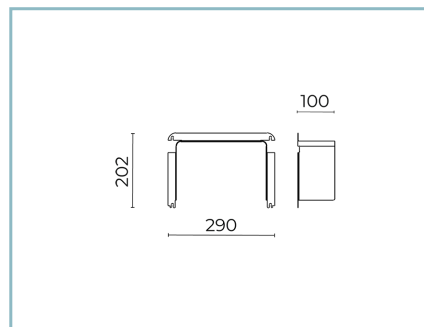
B225 Adjustable joint.  
Colour: Sablé 100 Noir.

### Optional accessories



06LN914J0

B246 Kit metal anchors LEVANTE 2.0



06LN912B0

B240 Lightshade visor kit.  
Levante 2.0 small. Colour: black  
RAL9005.

### NOTES

#### \*Performance data

The values indicated in this data sheet are nominal values with a tolerance of +/-7%.

Source flux and source efficiency data refer to the LED module without optics; in case you are interested in the performance of the LED module complete with optical system, you must multiply the data reported by the factor 0.9.

#### General Data

The characteristics of the product listed may be subject to change and must be confirmed when ordering.

In order to promote constant updating of its products, Cariboni Group reserves the right to make changes without prior notice.