



General Features

Description: LED luminaire

Insulation class: class II

Rated voltage: 220-240 V 50/60 Hz

Protection Grade: IP66

Impact protection: IK10

Surge protection device: integrated 10kV-10kA, Type 3, equipped with LED signaling and thermofusible for disconnection at the end of life; impulse withstand CL II 10kV DM

Power Factor: > 0.9

Ambient temperature Ta: -30°C +50°C

Weight: 4.00 kg

Max exposed surface: 0,07 m²

Lateral exposed surface: 0,02 m²

Common mode surge protection: 10 kV

Overtoltage protection differential mode: 10 kV

Driver: included

Marks and Certifications: ENEC / CE

Performance Data*

LED Current:	525 mA
Source flux:	4405 lm
Source power:	24 W
Source efficiency:	184 lm/W
Device flux:	3480 lm
Device power:	27 W
Appliance efficiency:	129 lm/W
Glare Index Category:	D6

Product Sheet

Rev. 10/07/2024

Lit Poles

Size: small

Color Temperature: 4000 K

Type of optics: ME-03 Medium street

06LT6A450A0CHM4

Colour: Sablé 100 Noir

Optical System

Source: LED L1

Color Temperature: 4000 K

Color Rendering Index (CRI): ≥ 70 Chromatic consistency (SDCM): ≤ 3

Type of optics: ME-03 Medium street

Optical group life: >100.000h @700mA @Ta25°C TM21
L80B10

Photobiological safety class: EXEMPT GROUP

ULOR: 0%

DLOR: 100%

Light intensity category: G*4

BUG rating: B1-U0-G1

Normative ReferencesEN60598-1 / EN60598-2-3 / EN60598-2-5 / EN62471 /
EN61547**Installation and maintenance**

Installation: wall / ground / pole

Pole diameter: \varnothing 60 - 76 - 102 mm

Tilt: fastened or adjustable installation

Fixing: single or double fixed collar for pole \varnothing 60-76 mm
(LIT SMALL) and for pole \varnothing 102mm (LIT MEDIUM/LARGE)
polyester powder coated (Sablé 100 Noir)

Wiring: pre-wired product

 \varnothing power cable: 10 ÷ 14 mm

Cable Gland: PG16

Flow adjustment

On request

Virtual Midnight Teaching

X

Arrangement for Zhaga connector (Book 18)

X

Constant flow output (CLO)

X

Adjusting 1-10V

X

DALI control

X

Wireless remote management

X

Provision for motion/light sensors

X

MaterialsBody: die-cast aluminium alloy UNI EN AB 47100 (copper
content < 1%)

Screen: tempered flat glass

Lenses: high-transparency PMMA

Fixing system: die-cast aluminium alloy UNI EN AB 47100
(copper content < 1%)

Seals: anti-age silicone

Screws: stainless steel AISI 304

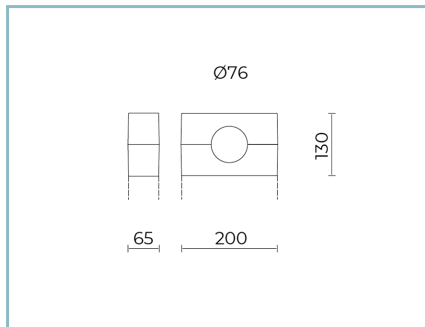
Wiring plate: zinc-plated steel

Finish: phospho-chromatation treated and polyester
powder-coated in 16 phases to increase weather resistance**Colors**

■ Sablé 100 Noir

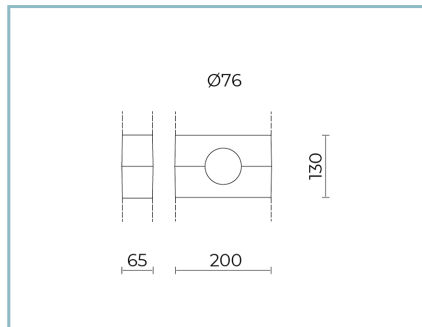
Code: **06LT6A450A0CHM4**

Mandatory accessories



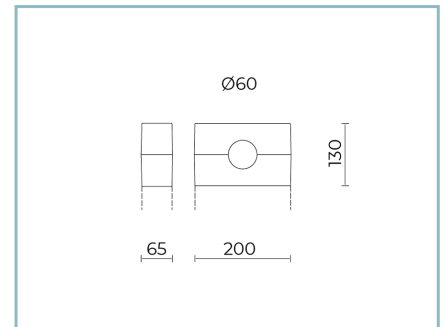
06LT910C0

B119 Single collar
for poles Ø76mm. Colour: Sablé 100
Noir.



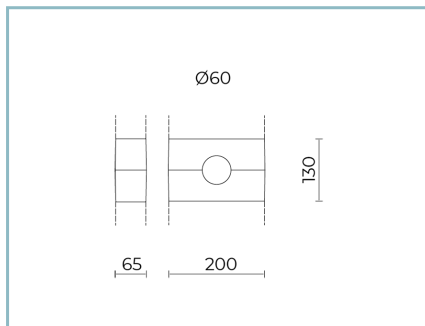
06LT911C0

B120 Double collar
for poles Ø76mm. Colour: Sablé 100
Noir.



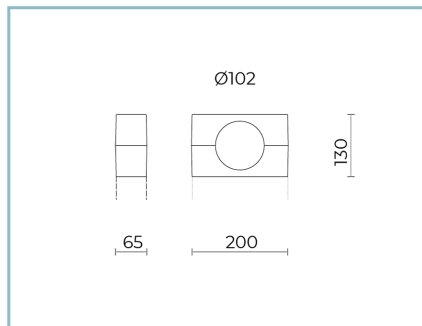
06LT929C0

B166 Single collar
for poles Ø60mm. Colour: Sablé 100
Noir.



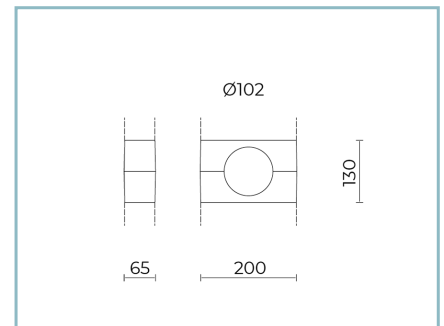
06LT930C0

B167 Double collar
for poles Ø60mm. Colour: Sablé 100
Noir.



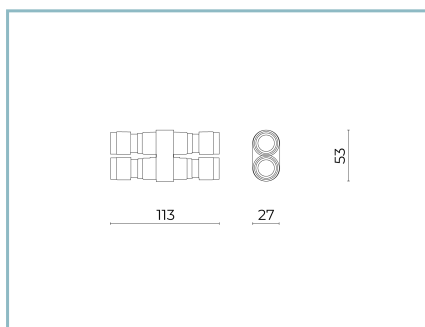
06LT933C0

B170 Single collar
for poles Ø102mm. Colour: Sablé 100
Noir.



06LT934C0

B171 Double collar
for poles Ø102mm. Colour: Sablé 100
Noir.



06KS909C0

B89 Connector 4 way IP68

Product Sheet

Rev. 10/07/2024

Lit Poles

Size: small

Color Temperature: 4000 K

Type of optics: ME-03 Medium street

06LT6A450A0CHM4Colour: Sablé 100 Noir

NOTES***Performance data**

The values indicated in this data sheet are nominal values with a tolerance of +/-7%.

Source flux and source efficiency data refer to the LED module without optics; in case you are interested in the performance of the LED module complete with optical system, you must multiply the data reported by the factor 0.9.

General Data

The characteristics of the product listed may be subject to change and must be confirmed when ordering.

In order to promote constant updating of its products, Cariboni Group reserves the right to make changes without prior notice.