

### General Features

Description: LED luminaire

Insulation class: class II

Rated voltage: 220-240 V 50/60 Hz

Protection Grade: IP66

Impact protection: IK10

Surge protection device: integrated 10kV-10kA, Type 3, equipped with LED signaling and thermofusible for disconnection at the end of life; impulse withstand CL II 10kV DM

Power Factor: > 0.9

Ambient temperature Ta: -30°C +50°C

Weight: 4.00 kg

Max exposed surface: 0,07 m<sup>2</sup>

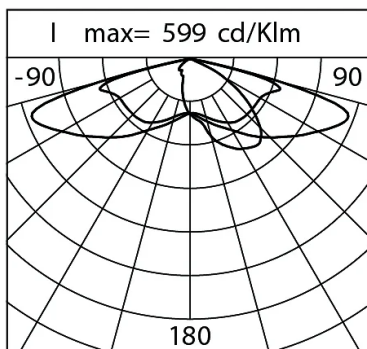
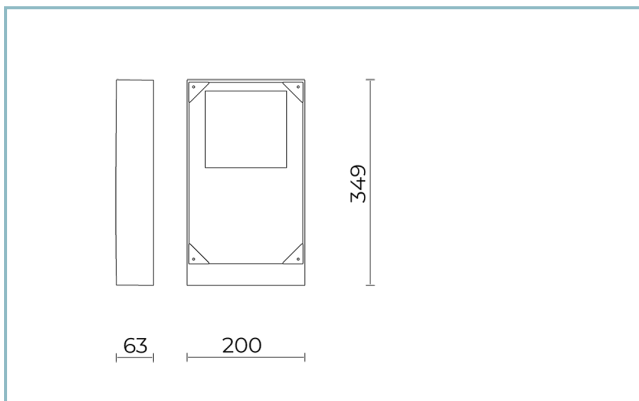
Lateral exposed surface: 0,02 m<sup>2</sup>

Common mode surge protection: 10 kV

Overtoltage protection differential mode: 10 kV

Driver: included

Marks and Certifications: ENEC / CE



### Performance Data\*

LED Current:	350 mA
Source flux:	2950 lm
Source power:	16 W
Source efficiency:	184 lm/W
Device flux:	2330 lm
Device power:	18.5 W
Appliance efficiency:	126 lm/W
Glare Index Category:	D6

### Optical System

Source: LED L1
Color Temperature: 3000 K
Color Rendering Index (CRI): $\geq 70$
Chromatic consistency (SDCM): $\leq 3$
Type of optics: LA-02 Wide street
Optical group life: >100.000h @700mA @Ta25°C TM21 L80B10
Photobiological safety class: EXEMPT GROUP
ULOR: 0%
DLOR: 100%
Light intensity category: G*3
BUG rating: B1-U0-G0

### Normative References

EN60598-1 / EN60598-2-3 / EN60598-2-5 / EN62471 / EN61547

### Installation and maintenance

Installation: wall / ground / pole
Pole diameter: $\varnothing$ 60 - 76 - 102 mm
Tilt: fastened or adjustable installation
$\varnothing$ power cable: 10 ÷ 14 mm
Cable Gland: PG16

### Flow adjustment

On request

Virtual Midnight Teaching	X
Arrangement for Zhaga connector (Book 18)	X
Constant flow output (CLO)	X
Adjusting 1-10V	X
DALI control	X
Wireless remote management	X
Provision for motion/light sensors	X

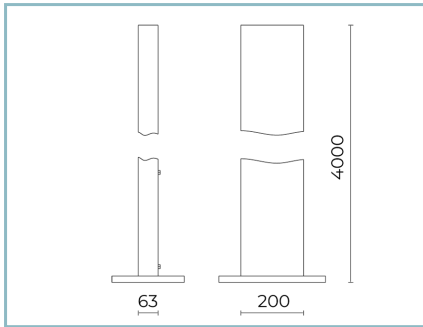
### Materials

Body: die-cast aluminium alloy UNI EN AB 47100 (copper content < 1%)
Screen: tempered flat glass
Lenses: high-transparency PMMA
Fixing system: die-cast aluminium alloy UNI EN AB 47100 (copper content < 1%)
Seals: anti-age silicone
Screws: stainless steel AISI 304
Wiring plate: zinc-plated steel
Finish: phospho-chromatation treated and polyester powder-coated in 16 phases to increase weather resistance

### Colors

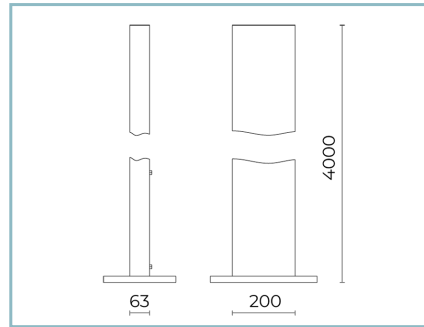
■ Sablé 100 Noir	Code: <b>06LT6A439A1CHM4</b>
------------------	------------------------------

## Complements



06LT914C0

B123 Aluminium extruded pole H4m  
x1 LIT small. Colour: Sablé 100 Noir.



06LT926C0

B160 Aluminium extruded pole H4m  
x2 LIT small. Colour: Sablé 100 Noir.

## NOTES

### \*Performance data

The values indicated in this data sheet are nominal values with a tolerance of +/-7%.

Source flux and source efficiency data refer to the LED module without optics; in case you are interested in the performance of the LED module complete with optical system, you must multiply the data reported by the factor 0.9.

### General Data

The characteristics of the product listed may be subject to change and must be confirmed when ordering.

In order to promote constant updating of its products, Cariboni Group reserves the right to make changes without prior notice.