



### General Features

Description: LED luminaire

Insulation class: class II

Rated voltage: 220-240 V 50/60 Hz

Protection Grade: IP66

Impact protection: IK10

Surge protection device: integrated 10kV-10kA, Type 3, equipped with LED signaling and thermofusible for disconnection at the end of life; impulse withstand CL II 10kV DM

Power Factor: > 0.9

Ambient temperature Ta: -30°C +50°C

Weight: 8.00 kg

Max exposed surface: 0,14 m<sup>2</sup>

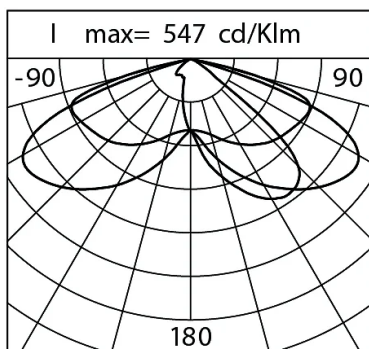
Lateral exposed surface: 0,03 m<sup>2</sup>

Common mode surge protection: 10 kV

Overtoltage protection differential mode: 10 kV

Driver: included

Marks and Certifications: ENEC / CE



### Performance Data\*

LED Current:	525 mA
Source flux:	17250 lm
Source power:	95 W
Source efficiency:	182 lm/W
Device flux:	13630 lm
Device power:	103 W
Appliance efficiency:	132 lm/W
Glare Index Category:	D5

**Product Sheet**

Rev. 10/07/2024

**Lit System**Size: large  
Color Temperature: 4000 K  
Type of optics: ME-03 Medium street**06LT8B650A0CHM4**

Colour: Sablé 100 Noir

**Optical System**

Source: LED L4

Color Temperature: 4000 K

Color Rendering Index (CRI):  $\geq 70$ Chromatic consistency (SDCM):  $\leq 3$ 

Type of optics: ME-03 Medium street

Optical group life: >100.000h @700mA @Ta25°C TM21  
L80B10

Photobiological safety class: EXEMPT GROUP

ULOR: 0%

DLOR: 100%

Light intensity category: G\*4

BUG rating: B2-U0-G2

**Normative References**EN60598-1 / EN60598-2-3 / EN60598-2-5 / EN62471 /  
EN61547**Installation and maintenance**

Installation: wall / ground / pole

Pole diameter:  $\varnothing$  60 - 76 - 102 mm

Tilt: fastened or adjustable installation

 $\varnothing$  power cable: 10 ÷ 14 mm

Cable Gland: PG16

**Flow adjustment**

On request

Virtual Midnight Teaching

X

Arrangement for Zhaga connector (Book 18)

X

Constant flow output (CLO)

X

Adjusting 1-10V

X

DALI control

X

Wireless remote management

X

Provision for motion/light sensors

X

**Materials**Body: die-cast aluminium alloy UNI EN AB 47100 (copper  
content < 1%)

Screen: tempered flat glass

Lenses: high-transparency PMMA

Fixing system: die-cast aluminium alloy UNI EN AB 47100  
(copper content < 1%)

Seals: anti-age silicone

Screws: stainless steel AISI 304

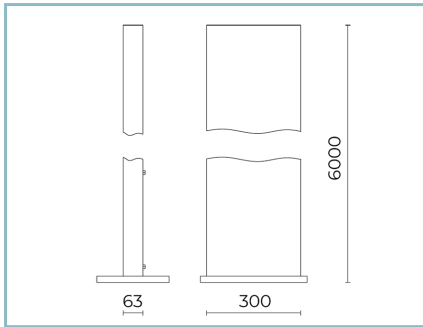
Wiring plate: zinc-plated steel

Finish: phospho-chromatation treated and polyester  
powder-coated in 16 phases to increase weather resistance**Colors**

■ Sablé 100 Noir

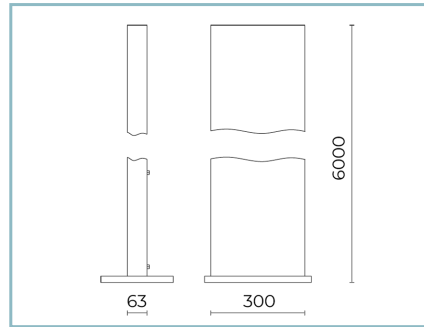
Code: **06LT8B650A0CHM4**

### Mandatory accessories



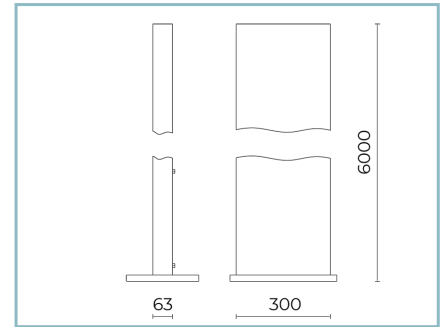
06LT915C0

B124 Aluminium extruded pole H6m  
x1 LIT medium / large. Colour: Sablé  
100 Noir.



06LT927C0

B161 Aluminium extruded pole H6m  
x2 LIT medium / large. Colour: Sablé  
100 Noir.



06LT928C0

B162 Aluminium extruded pole H6m  
x2 LIT medium / large (H 4/6m). Colour:  
Sablé 100 Noir.

### NOTES

#### \*Performance data

The values indicated in this data sheet are nominal values with a tolerance of +/-7%.

Source flux and source efficiency data refer to the LED module without optics; in case you are interested in the performance of the LED module complete with optical system, you must multiply the data reported by the factor 0.9.

#### General Data

The characteristics of the product listed may be subject to change and must be confirmed when ordering.

In order to promote constant updating of its products, Cariboni Group reserves the right to make changes without prior notice.