

### General Features

Description: wall -mounted LED product

Insulation class: class II

Rated voltage: 220-240 V 50/60 Hz

Protection Grade: IP66

Impact protection: IK08

Power Factor: > 0.9

Ambient temperature Ta: -30°C +50°C

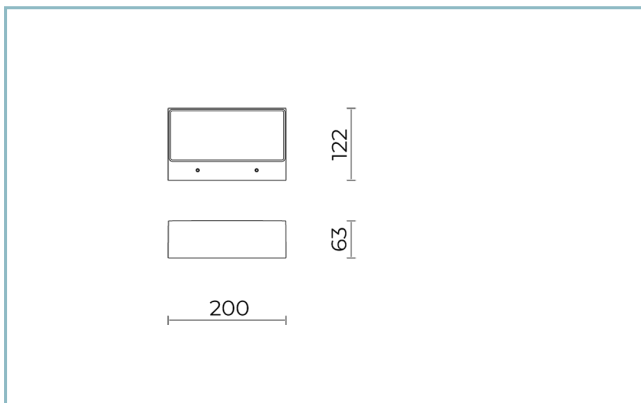
Weight: 2.00 kg

Max exposed surface: 0,024 m<sup>2</sup>

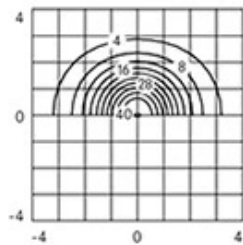
Lateral exposed surface: 0,0085 m<sup>2</sup>

Driver: included

Marks and Certifications: CE



AS-D Applique



H 2500

### Performance Data\*

Source flux:	840 lm
Source power:	8.2 W
Source efficiency:	102 lm/W
Device flux:	550 lm
Device power:	10 W
Appliance efficiency:	55 lm/W

---

### Optical System

Source: LED

Color Temperature: 4000 K

Color Rendering Index (CRI):  $\geq 80$

Chromatic consistency (SDCM):  $\leq 3$

Type of optics: AS-D

Optical group life:  $>60.000\text{h}$  @Ta25°C L80B10

Photobiological safety class: EXEMPT GROUP

ULOR: 0%

DLOR: 100%

### Normative References

EN60598-1 / EN60598-2-1 / EN62471 / EN61547

### Installation and maintenance

Installation: wall installation

Fixing: screw anchors

### Flow adjustment

On request

DALI control

X

### Materials

Body: die-cast aluminium alloy UNI EN AB 47100 (copper content  $< 1\%$ )

Screen: comfort tempered flat glass 5 mm

Seals: expanded anti-age silicone foam

Screws: stainless steel AISI 304

Finish: phospho-chromatation treated and polyester powder-coated in 16 phases to increase weather resistance

### Colors

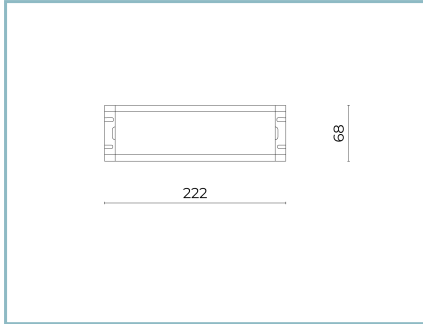
■ Sablé 100 Noir

Code: **06LX1A20C5C**

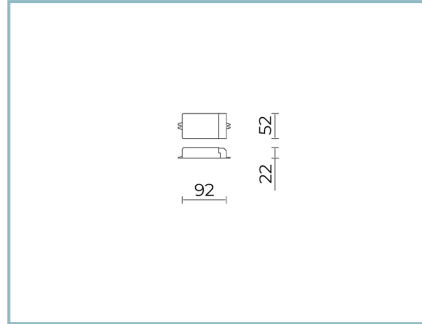
---

**Mandatory accessories**

---



06LL914AB0  
DALI driver  
150W-24V IP67



06LX900X0  
B176 DALI driver 16W IP20

---

**NOTES**

**\*Performance data**

The values indicated in this data sheet are nominal values with a tolerance of +/-7%.

Source flux and source efficiency data refer to the LED module without optics; in case you are interested in the performance of the LED module complete with optical system, you must multiply the data reported by the factor 0.9.

**General Data**

The characteristics of the product listed may be subject to change and must be confirmed when ordering.

In order to promote constant updating of its products, Cariboni Group reserves the right to make changes without prior notice.