



General Features

Description: LED floodlight

Insulation class: class II

Rated voltage: 220-240 V 50 Hz

Protection Grade: IP66

Impact protection: IK08

Power Factor: > 0.9

Ambient temperature Ta: -30°C +50°C

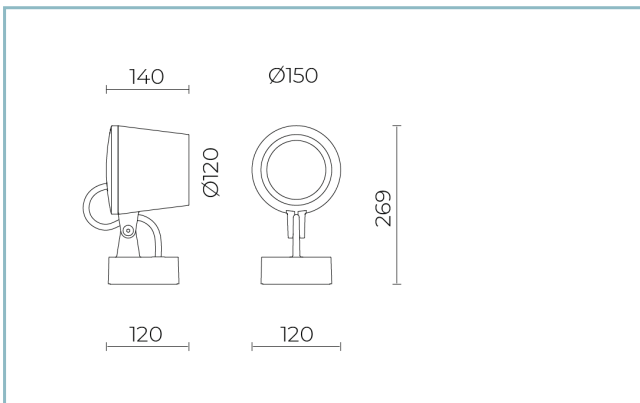
Weight: 2.00 kg

Max exposed surface: 0,027 m²

Lateral exposed surface: 0,027 m²

Driver: included

Marks and Certifications: CE



| H (m) | Ø (m) | Em (lux) |
|-------|-------|----------|
| 1 | 2 | 205 |
| 2 | 4.2 | 51 |
| 3 | 6.3 | 23 |
| 4 | 8.5 | 13 |
| 5 | 10.5 | 8 |

Performance Data*

| | |
|-----------------------|----------|
| LED Current: | 500 mA |
| Source flux: | 1800 lm |
| Source power: | 17 W |
| Source efficiency: | 106 lm/W |
| Device flux: | 1260 lm |
| Device power: | 20 W |
| Appliance efficiency: | 63 lm/W |
| Glare Index Category: | D6 |

Optical System

Source: CoB LED

Color Temperature: 3000 K

Color Rendering Index (CRI): ≥ 90

Chromatic consistency (SDCM): ≤ 3

Type of optics: U-D 90° Diffused beam

Optical group life: >60.000h @Ta25°C L80B10

Photobiological safety class: EXEMPT GROUP

ULOR: 0%

DLOR: 100%

Light intensity category: G*6

Normative References

EN60598-1 / EN60598-2-3 / EN62471 / EN61547

Installation and maintenance

Installation: ceiling / wall / ground / pole side

Tilt: -90° +45°, continuously-adjustable pointing and locking system

Fixing: fixing base made of die-cast aluminium alloy UNI EN AB 47100 (copper content < 1%), which can be rotated ± 30°

Wiring: pre-wired product

Ø power cable: 9 ÷ 14 mm

Cable Gland: M29

Power supply compartment: independent from the optical group

Flow adjustment

On request

DALI control

X

Materials

Body: die-cast aluminium alloy UNI EN AB 47100 (copper content < 1%)

Screen: acid-etched glass

Lenses: highly transparent technopolymer lenses

Fixing system: die-cast aluminium alloy UNI EN AB 47100 (copper content < 1%)

Seals: expanded anti-age silicone foam

Screws: stainless steel AISI 304

Wiring plate: zinc-plated steel

Finish: phospho-chromatation treated and polyester powder-coated in 16 phases to increase weather resistance

Colors

■ Sablé 100 Noir

Code: **06OM2A149B2C**

Product Sheet

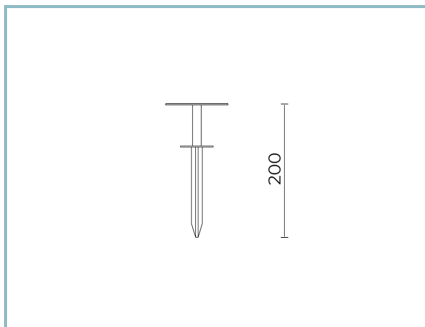
Rev. 27/09/2023

Omikron Flood

Options: for poles \varnothing 102 mm
Color Temperature: 3000 K
Type of optics: U-D 90° Diffused beam

06OM2A149B2CColour: Sablé 100 Noir

Optional accessories



06OM901C0

B135 Picket for ground installation

L=200 mm. Colour: Sablé 100 Noir.

NOTES***Performance data**

The values indicated in this data sheet are nominal values with a tolerance of +/-7%.

Source flux and source efficiency data refer to the LED module without optics; in case you are interested in the performance of the LED module complete with optical system, you must multiply the data reported by the factor 0.9.

General Data

The characteristics of the product listed may be subject to change and must be confirmed when ordering.

In order to promote constant updating of its products, Cariboni Group reserves the right to make changes without prior notice.