



### General Features

Description: LED floodlight

Insulation class: class III

Rated voltage: 24Vdc

Protection Grade: IP66

Impact protection: IK07

Power Factor: > 0.9

Ambient temperature Ta: -30°C +50°C

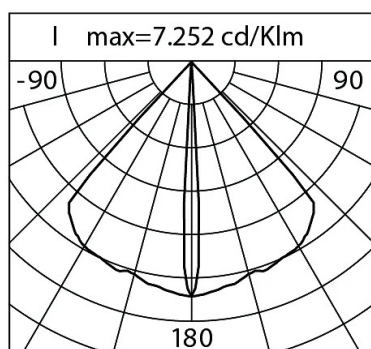
Weight: 1.00 kg

Max exposed surface: 0,011 m<sup>2</sup>

Lateral exposed surface: 0,006 m<sup>2</sup>

Driver: remote (to be ordered separately)

Marks and Certifications: CE



### Performance Data\*

LED Current:	900 mA
Source flux:	340 lm
Source power:	4.2 W
Source efficiency:	81 lm/W
Device flux:	85 lm
Device power:	4.2 W
Appliance efficiency:	20 lm/W
Glare Index Category:	D6

---

### Optical System

Source: LED

Color Temperature: 4000 K

Color Rendering Index (CRI):  $\geq 80$

Chromatic consistency (SDCM):  $\leq 3$

Type of optics: Blade 6°x90°

Optical group life: >100.000h @Ta25°C L80B10

Photobiological safety class: EXEMPT GROUP

### Normative References

EN60598-1 / EN60598-2-5 / EN62471 / EN61547

### Installation and maintenance

Installation: ceiling / wall / ground

Tilt: tilting of the body (+90° -45°) and a rotation of the optical unit by 355° for the orientation of the light blade

Fixing: fixing base made of die-cast aluminium alloy UNI EN AB 47100 (copper content < 1%), which can be rotated of 360°

Wiring: pre-wired product, cable L=1,5m

Cable Gland: M12x1,5

---

### Flow adjustment

Standard

DALI control

X

---

### Materials

Body: die-cast aluminium alloy UNI EN AB 47100 (copper content < 1%)

Screen: tempered flat glass

Lenses: high-transparency PMMA

Fixing system: base die-cast aluminium alloy UNI EN AB 47100 (copper content < 1%)

Seals: expanded anti-age silicone foam

Screws: stainless steel AISI 304

Finish: phospho-chromatation treated and polyester powder-coated in 16 phases to increase weather resistance

---

### Colors

■ White RAL9003

Code: **06OM4A130C5DV**

### Mandatory accessories



06GC902X0

B165 2-pole connector IP68



06OM902X0

D6 DALI DRIVER  
20W 24V IP20 MAX 2 OMIKRON MINI



06OM903X0

D7 KIT DALI DRIVER  
20W 24V IP67 MAX 2 OMIKRON MINI

### Optional accessories



06AK957B0

I2 Spike for ground installation.  
Colour: black RAL9005

### NOTES

#### \*Performance data

The values indicated in this data sheet are nominal values with a tolerance of +/-7%.

Source flux and source efficiency data refer to the LED module without optics; in case you are interested in the performance of the LED module complete with optical system, you must multiply the data reported by the factor 0.9.

#### General Data

The characteristics of the product listed may be subject to change and must be confirmed when ordering.

In order to promote constant updating of its products, Cariboni Group reserves the right to make changes without prior notice.