



### General Features

Description: LED floodlight

Insulation class: class II

Rated voltage: 220-240 V 50/60 Hz

Protection Grade: IP66

Impact protection: IK08

Power Factor: > 0.90

Ambient temperature Ta: -30°C +50°C

Weight: 4.1 kg

Max exposed surface: 0.047 m<sup>2</sup>

Lateral exposed surface: 0.038 m<sup>2</sup>

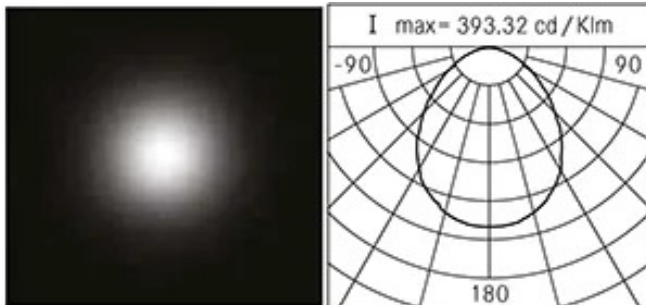
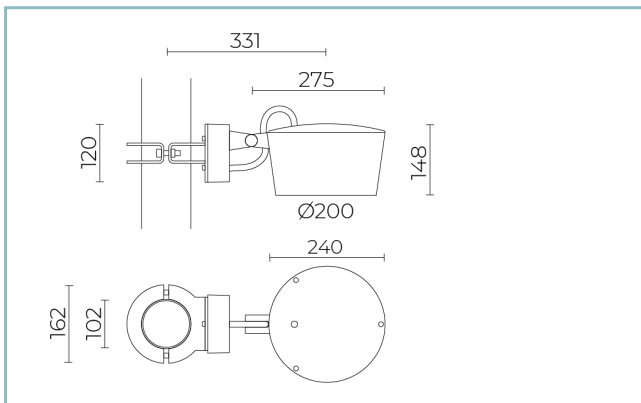
Common mode surge protection: 10 kV

Overvoltage protection differential mode: 6 kV

Driver: included

Driver lifetime: >100.000h @Ta25°C L80B10

Marks and Certifications: CE



### Performance Data\*

LED Current:	700 mA
Source flux:	4220 lm
Source power:	31.5 W
Source efficiency:	134 lm/W
Device flux:	3090 lm
Device power:	35 W
Appliance efficiency:	88 lm/W
Glare Index Category:	D6

### Optical System

Source: LED L4

Color Temperature: 2700 K

Color Rendering Index (CRI):  $\geq 80$

Chromatic consistency (SDCM):  $\leq 3$

Type of optics: U-D 90° Diffused beam

Optical group life: >100.000h @Ta25°C L80B10

Photobiological safety class: EXEMPT GROUP

ULOR: 0%

DLOR: 100%

Light intensity category: G\*6

### Normative References

EN60598-1 / EN60598-2-3 / EN62471 / EN61547

### Installation and maintenance

Installation: wall / ceiling / ground / side pole

Pole diameter:  $\varnothing 102$  mm

Tilt:  $-45^{\circ}$   $+90^{\circ}$ , continuously-adjustable pointing and locking system.

Wiring: pre-wired product with cable and connector

$\varnothing$  power cable: 12 mm

Cable Gland: M20

Power supply compartment: independent from the optical group

### Flow adjustment

Standard

DALI control

X

### Materials

Body: die-cast aluminium alloy UNI EN AB 47100 (copper content < 1%)

Screen: tempered flat glass

Lenses: high-transparency PMMA

Fixing system: die-cast aluminium alloy UNI EN AB 47100 (copper content < 1%)

Seals: expanded anti-age silicone foam

Screws: stainless steel AISI 304

Wiring plate: zinc-plated steel

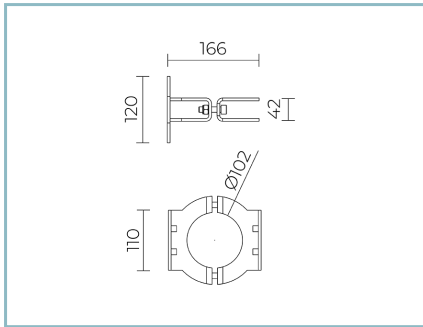
Finish: phospho-chromatation treated and polyester powder-coated in 16 phases to increase weather resistance

### Colors

■ Sablé 100 Noir

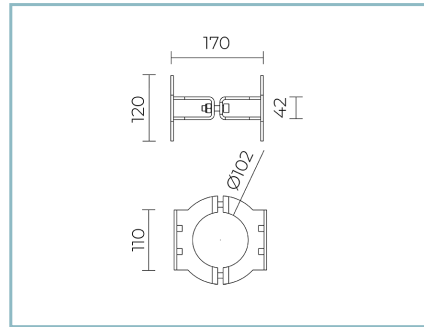
Code: **06OM6B608C4CHL**

## Complements



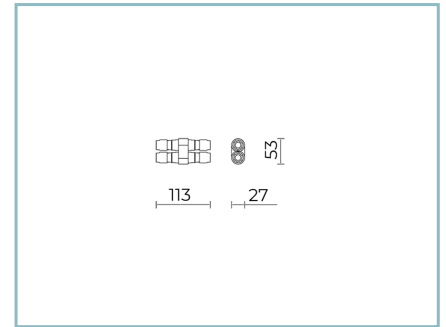
06OM904C0

B136 Single pole ring  
for  $\varnothing 102$  mm. Colour: Sablé 100 Noir.



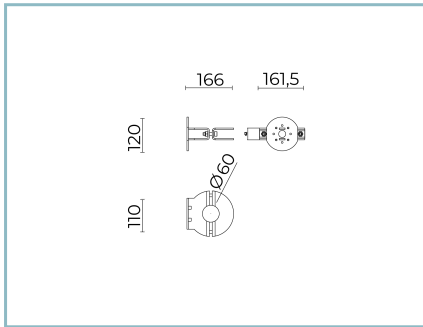
06OM905C0

B137 Double pole ring  
for  $\varnothing 102$  mm. Colour: Sablé 100 Noir.



06KS909C0

B89 Connector 4 way IP68



06OM907C0

B251 Single pole ring  
for  $\varnothing 102$  mm. Colour: Sablé 100 Noir.

## NOTES

### \*Performance data

The values indicated in this data sheet are nominal values with a tolerance of +/-7%.

Source flux and source efficiency data refer to the LED module without optics; in case you are interested in the performance of the LED module complete with optical system, you must multiply the data reported by the factor 0.9.

### General Data

The characteristics of the product listed may be subject to change and must be confirmed when ordering.

In order to promote constant updating of its products, Cariboni Group reserves the right to make changes without prior notice.