



### General Features

Description: Wall-mounted mono and bi-emission product

Insulation class: class I

Rated voltage: 230 V 50 Hz

Protection Grade: IP65

Impact protection: IK05

Power Factor: > 0.90

Ambient temperature Ta: -30°C +50°C

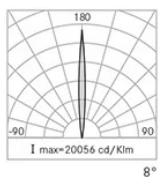
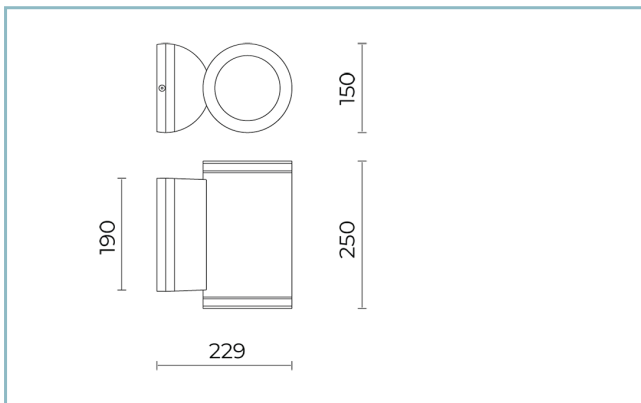
Weight: 4.00 kg

Max exposed surface: 0,058 m<sup>2</sup>

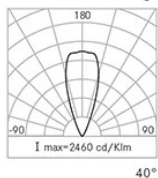
Lateral exposed surface: 0,035 m<sup>2</sup>

Driver: included

Marks and Certifications: CE



H (m)	Ø (m)	Em(lux)
1	0,19	12155
2	0,37	3040
3	0,56	1351
4	0,74	760
5	0,93	487



H (m)	Ø (m)	Em(lux)
1	0,71	1441
2	1,41	361
3	2,13	161
4	2,84	91
5	3,54	57

### Performance Data\*

LED Current:	500 mA
Source flux:	3120 lm
Source power:	27 W
Source efficiency:	116 lm/W
Device flux:	2200 lm
Device power:	31 W
Appliance efficiency:	71 lm/W

### Optical System

Source: 2x9 LEDs

Color Temperature: 4000 K

Color Rendering Index (CRI):  $\geq 80$

Chromatic consistency (SDCM):  $\leq 3$

Type of optics: C 8° + D 40°

Optical group life:  $>60.000\text{h}$  @Ta25°C L80B10

### Normative References

EN60598-1 / EN60598-2-1 / EN62471

### Installation and maintenance

Installation: wall-mounted

Fixing: With a die-cast aluminium shelf

Ø power cable: 7 ÷ 11 mm

Cable gland: PG11

### Materials

Body: extruded aluminium alloy UNI 9006/T6

Screen: tempered flat glass

Lenses: high-transparency PMMA

Seals: extruded anti-age silicone

Screws: stainless steel AISI 304

Finish: phospho-chromatation treated and polyester powder-coated in 16 phases to increase weather resistance

### Colors

■ Sablé 100 Noir

Code: **06OT3B84012C**

---

**Product Sheet**

Rev. 16/07/2024

**One4two Wall-Mounted**

Size: medium

Color Temperature: 4000 K

Type of optics: C 8° + D 40°

**06OT3B84012C**Colour: Sablé 100 Noir

---

---

**NOTES****\*Performance data**

The values indicated in this data sheet are nominal values with a tolerance of +/-7%.

Source flux and source efficiency data refer to the LED module without optics; in case you are interested in the performance of the LED module complete with optical system, you must multiply the data reported by the factor 0.9.

**General Data**

The characteristics of the product listed may be subject to change and must be confirmed when ordering.

In order to promote constant updating of its products, Cariboni Group reserves the right to make changes without prior notice.