

### General Features

|  |
|--|
| Description: post top LED luminaire  |
| Insulation class: class II   |
| Rated voltage: 220-240 V 50/60 Hz  |
| Protection Grade: IP66   |
| Impact protection: IK09  |
| Surge protection device: integrated 10kV-10kA, Type 3, equipped with LED signaling and thermofusible for disconnection at the end of life; impulse withstand CL II 10kV DM |
| Power Factor: > 0.90   |
| Ambient temperature Ta: -30°C +50°C  |
| Weight: 8.00 kg  |
| Max exposed surface: 0,18 m <sup>2</sup>   |
| Lateral exposed surface: 0,06 m <sup>2</sup>   |
| Common mode surge protection: 10 kV  |
| Overvoltage protection differential mode: 10 kV  |
| Driver: included   |
| Driver lifetime: >100.000 h @ Ta 25°C (0,2% / 1000h)   |
| Marks and Certifications: ENEC / CE  |

### Performance Data\*

|                       |          |
|-----------------------|----------|
| Source flux:          | 3960 lm  |
| Source power:         | 19 W     |
| Source efficiency:    | 208 lm/W |
| Device flux:          | 3165 lm  |
| Device power:         | 22 W     |
| Appliance efficiency: | 144 lm/W |
| Glare Index Category: | D6       |

### Optical System

|   |
|---|
| Source: LED R1                                    |
| Color Temperature: 4000 K                         |
| Color Rendering Index (CRI): $\geq 70$            |
| Chromatic consistency (SDCM): $\leq 3$            |
| Type of optics: ST-02 Narrow street               |
| Optical group life: $>100.000$ h @ Ta 25°C L90B10 |
| Photobiological safety class: EXEMPT GROUP        |
| ULOR: 0%  |
| DLOR: 100%  |
| Light intensity category: G*3                     |
| BUG rating: B1-U0-G1                              |

### Normative References

EN60598-1 / EN60598-2-3 / EN62471 / EN61547

### Installation and maintenance

|  |
|--|
| Installation: post top   |
| Pole diameter: $\varnothing$ 60 mm (76 mm with accessory)  |
| Wiring: the product is supplied with an outgoing cable (L = 200 mm) and a 2-pin plug and socket connector for a quick and easy installation. |
| $\varnothing$ power cable: $10 \div 14$ mm   |
| Cable Gland: PG16  |
| Cable gland: M20   |
| Replaceable wiring plate: removable by unlocking grub screws   |
| Replaceable optical unit: removable by unlocking grub screws   |
| Screen opening: opening by means of tools  |
| Power supply compartment: independent from the optical system  |

### Flow adjustment

On request

|   |   |
|---|---|
| Virtual Midnight Teaching                 | X |
| Arrangement for Zhaga connector (Book 18) | X |
| Constant flow output (CLO)                | X |
| Adjusting 1-10V                           | X |
| DALI control                              | X |
| Mains voltage variation                   | X |
| Wireless remote management                | X |
| Provision for motion/light sensors        | X |

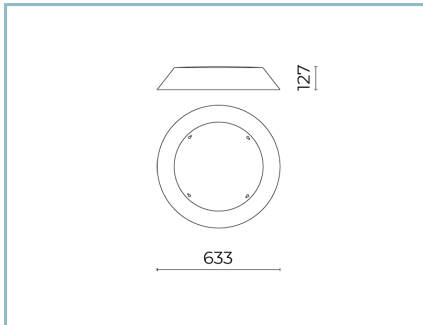
### Materials

|  |
|--|
| Body: die-cast aluminium alloy UNI EN AB 47100 (copper content $< 1\%$ )                                     |
| Screen: tempered flat glass 5 mm   |
| Lenses: high-transparency PMMA   |
| Fixing system: die-cast aluminium alloy UNI EN AB 47100 (copper content $< 1\%$ )                            |
| Seals: expanded anti-age silicone foam   |
| Screws: stainless steel AISI 304   |
| Wiring plate: zinc-plated steel  |
| Finish: phospho-chromatation treated and polyester powder-coated in 16 phases to increase weather resistance |

### Colors

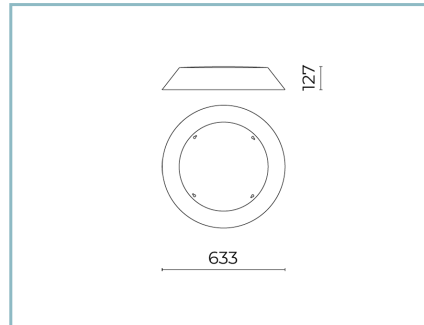
|                  |                              |
|------------------|------------------------------|
| ■ Sablé 100 Noir | Code: <b>01PLB242014CHM4</b> |
|------------------|------------------------------|

## Complements



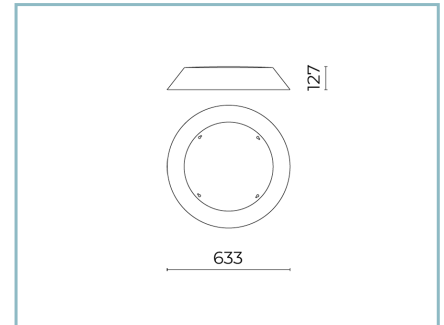
01PL900C0

B183 Decorative upper cover  
Colour: Sablé 100 Noir



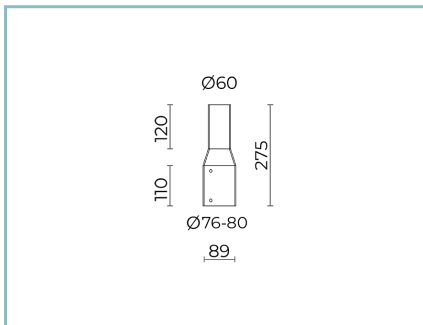
01PL900U50

B 183 Decorative upper cover  
Colour: GREEN YW354F



01PL900U60

B 183 Decorative upper cover  
Colour: COPPER Y2304I



01AK980C0

B200 Pole adapter  
Ø 76-80 mm top Ø60 mm. Colour:  
Sablé 100 Noir.

## NOTES

\*Performance data

The values indicated in this data sheet are nominal values with a tolerance of +/-7%.

Source flux and source efficiency data refer to the LED module without optics; in case you are interested in the performance of the LED module complete with optical system, you must multiply the data reported by the factor 0.9.

## General Data

The characteristics of the product listed may be subject to change and must be confirmed when ordering.

In order to promote constant updating of its products, Cariboni Group reserves the right to make changes without prior notice.