



### General Features

Description: suspension-mounted LED luminaire

Insulation class: class II

Rated voltage: 220-240 V 50/60 Hz

Protection Grade: IP66

Impact protection: IK09

Power Factor: > 0.9

Ambient temperature Ta: -25° C + 50° C

Weight: 4 kg

Max exposed surface: 0.071 m<sup>2</sup>

Lateral exposed surface: 0.039 m<sup>2</sup>

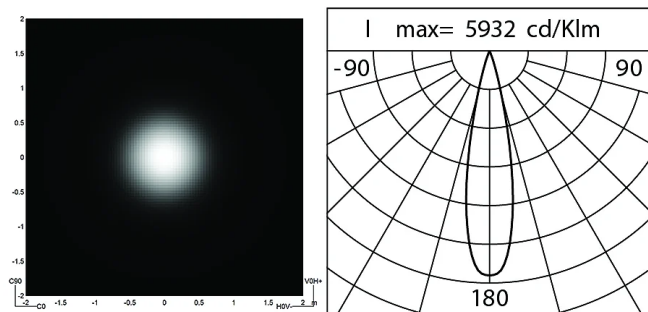
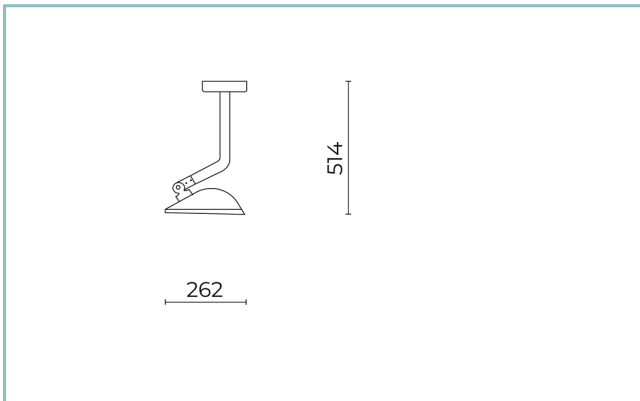
Common mode surge protection: 6 kV

Overvoltage protection differential mode: 10 kV

Driver: included

Driver lifetime: >100.000 h @Ta 25° C

Marks and Certifications: CE / ENEC



### Performance Data\*

LED Current:	300 mA
Source flux:	1030 lm
Source power:	6.5 W
Source efficiency:	158 lm/W
Device flux:	875 lm
Device power:	8 W
Appliance efficiency:	109 lm/W
Glare Index Category:	D6

### Optical System

Source: LED L2

Color Temperature: 3000 K

Color Rendering Index (CRI):  $\geq 80$

Chromatic consistency (SDCM):  $\leq 3$

Type of optics: M 25° Medium beam

Optical group life:  $>100.000$  h @ 700mA @Ta 25° C L90B10

Photobiological safety class: EXEMPT GROUP

ULOR: 0%

DLOR: 100%

Light intensity category: G\*6

BUG rating: B1-U0-G0

### Normative References

EN60598-1 / EN60598-2-3 / IEC / TR62778 / EN62471 / EN61547

### Installation and maintenance

Installation: arcade

Tilt:  $0^\circ \div -90^\circ$

$\varnothing$  power cable:  $6 \div 11$  mm

Cable Gland: PG13,5

Power supply compartment: independent from the optical group

### Flow adjustment

Standard

DALI control

X

### Materials

Body: die-cast aluminium alloy UNI EN AB 47100 (copper content  $< 1\%$ )

Screen: tempered flat glass

Lenses: high-transparency PMMA

Fixing system: die-cast aluminium alloy UNI EN AB 47100 (copper content  $< 1\%$ )

Seals: anti-age silicone foam

Screws: stainless steel AISI 304

Wiring plate: zinc-plated steel

Finish: phospho-chromatation treated and polyester powder-coated in 16 phases to increase weather resistance

### Colors

■ Champagne

Code:

**06SP3AA8309B9G6HL**

---

NOTES

\*Performance data

The values indicated in this data sheet are nominal values with a tolerance of +/-7%.

Source flux and source efficiency data refer to the LED module without optics; in case you are interested in the performance of the LED module complete with optical system, you must multiply the data reported by the factor 0.9.

General Data

The characteristics of the product listed may be subject to change and must be confirmed when ordering.

In order to promote constant updating of its products, Cariboni Group reserves the right to make changes without prior notice.