



General Features

Description: LED fitting for lighting paths and urban spaces

Insulation class: class II

Rated voltage: 220-240 V 50/60 Hz

Protection Grade: IP66

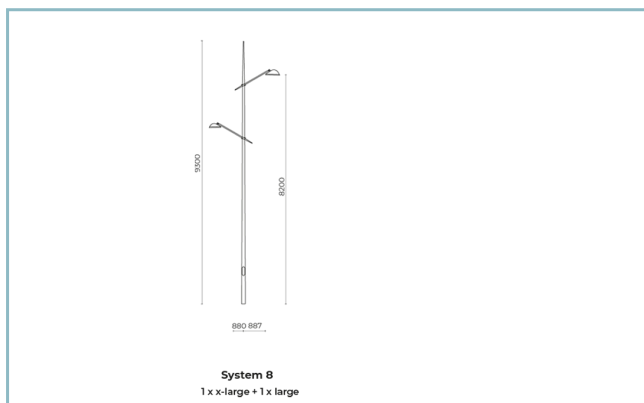
Impact protection: IK09

Power Factor: > 0.9

Ambient temperature Ta: -25°C +50°C

Driver: included

Marks and Certifications: CE / ENEC



Performance Data*

Product Sheet

Rev 16/07/2024

Spoon System

Size: 1 Spoon Large + 1 Spoon X-Large

Options: System 8 STREET OPTICS

Color Temperature: 3000 K

Type of optics: Ottiche stradali

06SP0H90001C9G6HL

Colour: Champagne

Optical System

Source: LED

Color Temperature: 3000 K

Color Rendering Index (CRI): ≥ 80 Chromatic consistency (SDCM): ≤ 3

Type of optics: Ottiche stradali

Photobiological safety class: EXEMPT GROUP

ULOR: 0%

DLOR: 100%

Normative References

EN60598-1 / EN60598-2-3 / IEC / TR62778 / EN62471 /

EN61547

Installation and maintenance

Installation: pole

Tilt: $0^\circ +90^\circ$ \varnothing power cable: 6 ÷ 11 mm

Cable Gland: PG13,5

Power supply compartment: independent from the optical group

Flow adjustment

Standard On request

Virtual Midnight Teaching

X

Arrangement for Zhaga connector
(Book 18)

X

DALI control

X

Materials

Body: die-cast aluminium alloy UNI EN AB 47100 (copper content < 1%)

Screen: tempered flat glass

Lenses: high-transparency PMMA

Fixing system: die-cast aluminium alloy UNI EN AB 47100 (copper content < 1%)

Seals: anti-age silicone foam

Screws: stainless steel AISI 304

Wiring plate: zinc-plated steel

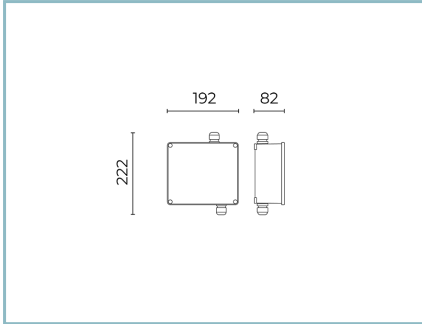
Finish: phospho-chromatation treated and polyester powder-coated in 16 phases to increase weather resistance

Colors

■ Champagne

Code: **06SP0H90001C9G6HL**

Mandatory accessories



06SP900X0

D17 Junction box kit SIP
3xSpoon Small

NOTES

*Performance data

The values indicated in this data sheet are nominal values with a tolerance of +/-7%.

Source flux and source efficiency data refer to the LED module without optics; in case you are interested in the performance of the LED module complete with optical system, you must multiply the data reported by the factor 0.9.

General Data

The characteristics of the product listed may be subject to change and must be confirmed when ordering.

In order to promote constant updating of its products, Cariboni Group reserves the right to make changes without prior notice.