



### General Features

Description: LED fitting for lighting façades, paths and urban spaces

Insulation class: class II

Rated voltage: 220-240 V 50/60 Hz

Protection Grade: IP66

Impact protection: IK09

Power Factor: > 0.9

Ambient temperature Ta: -25° C + 50° C

Weight: 7.5 kg

Max exposed surface: 0.157 m<sup>2</sup>

Lateral exposed surface: 0.063 m<sup>2</sup>

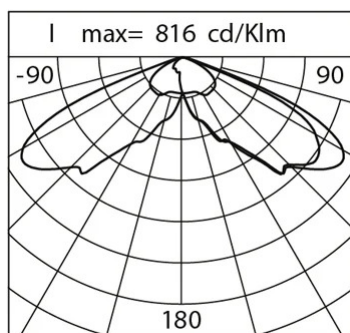
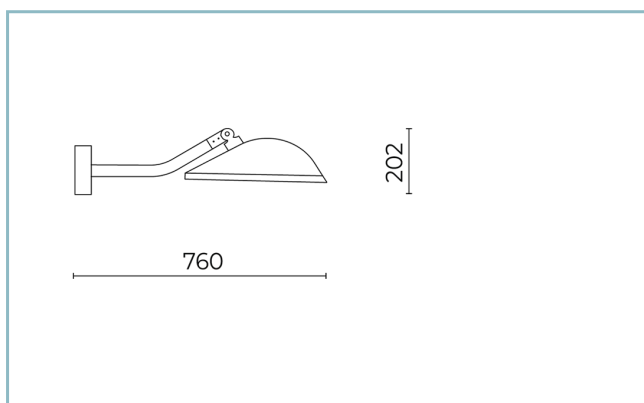
Common mode surge protection: 10 kV

Overvoltage protection differential mode: 10 kV

Driver: included

Driver lifetime: > 100.000 h @Ta 25° C

Marks and Certifications: CE / ENEC



### Performance Data\*

Source flux:	9535 lm
Source power:	55 W
Source efficiency:	173 lm/W
Device flux:	8010 lm
Device power:	60 W
Appliance efficiency:	134 lm/W
Glare Index Category:	D5

### Optical System

Source: LED R2
Color Temperature: 3000 K
Color Rendering Index (CRI): $\geq 80$
Chromatic consistency (SDCM): $\leq 3$
Type of optics: LT-63 Asymmetric beam
Optical group life: $> 100.000$ h @ 720mA @Ta 25° C TM21 L90B10
Photobiological safety class: EXEMPT GROUP
ULOR: 0%
DLOR: 100%
Light intensity category: G*6
BUG rating: B1-U0-G1

### Normative References

EN60598-1 / EN60598-2-3 / IEC / TR62778 / EN62471 / EN61547

### Installation and maintenance

Installation: wall
Tilt: $0^\circ \div 90^\circ$
$\varnothing$ power cable: $6 \div 11$ mm
Cable Gland: PG13,5
Power supply compartment: independent from the optical group

### Flow adjustment

Standard On request

Virtual Midnight Teaching	X
Arrangement for Zhaga connector (Book 18)	X
DALI control	X

### Materials

Body: die-cast aluminium alloy UNI EN AB 47100 (copper content $< 1\%$ )
Screen: tempered flat glass
Lenses: high-transparency PMMA
Fixing system: die-cast aluminium alloy UNI EN AB 47100 (copper content $< 1\%$ )
Seals: anti-age silicone foam
Screws: stainless steel AISI 304
Wiring plate: zinc-plated steel
Finish: phospho-chromatation treated and polyester powder-coated in 16 phases to increase weather resistance

### Colors

 Champagne	Code: <b>06SP2BC460915G6HL</b>
---	--------------------------------

---

**Product Sheet**

Rev 16/07/2024

**Spoon Wall**

Size: large

Color Temperature: 3000 K

Type of optics: LT-63 Asymmetric beam

**06SP2BC460915G6HL**Colour: Champagne

---

---

**NOTES****\*Performance data**

The values indicated in this data sheet are nominal values with a tolerance of +/-7%.

Source flux and source efficiency data refer to the LED module without optics; in case you are interested in the performance of the LED module complete with optical system, you must multiply the data reported by the factor 0.9.

**General Data**

The characteristics of the product listed may be subject to change and must be confirmed when ordering.

In order to promote constant updating of its products, Cariboni Group reserves the right to make changes without prior notice.