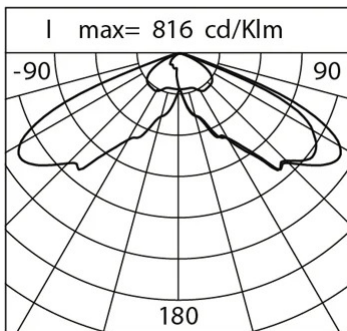
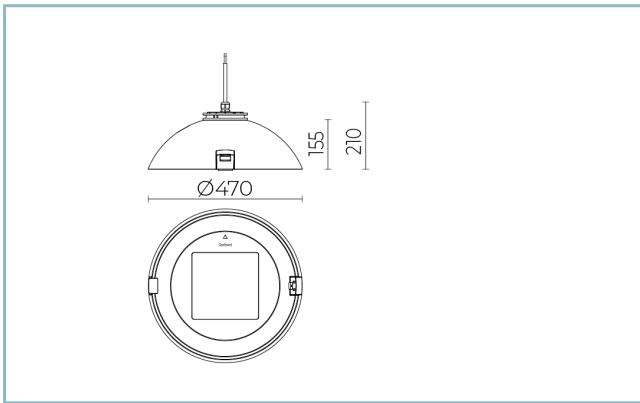




General Features

- Description: LED luminaire
- Insulation class: class II
- Rated voltage: 220-240 V 50/60 Hz
- Protection Grade: IP66
- Impact protection: IK09
- Surge protection device: integrated 10kV-10kA, Type 3, equipped with LED signaling and thermofusible for disconnection at the end of life; impulse withstand CL II 10kV DM
- Power Factor: > 0.90
- Ambient temperature Ta: -30°C +50°C
- Weight: 8.8 kg
- Max exposed surface: 0.17 m²
- Lateral exposed surface: 0.08 m²
- Common mode surge protection: 10 kV
- Overtoltage protection differential mode: 10 kV
- Driver: included
- Driver lifetime: >100.000 h @ Ta 25°C (0,2% / 1000h)
- Marks and Certifications: ENEC / CE



| Performance Data* | LT-63 | LT-63 | LT-63 | LT-63 | LT-63 |
|-----------------------|----------|----------|----------|----------|----------|
| | 1800K | 2200K | 2700K | 3000K | 4000K |
| LED Current: | 910 mA | 910 mA | 910 mA | 910 mA | 910 mA |
| Source flux: | 7820 lm | 9635 lm | 11040 lm | 11240 lm | 11960 lm |
| Source power: | 65.5 W | 65.5 W | 65.5 W | 65.5 W | 65.5 W |
| Source efficiency: | 119 lm/W | 147 lm/W | 169 lm/W | 172 lm/W | 183 lm/W |
| Device flux: | 6565 lm | 8090 lm | 9270 lm | 9440 lm | 10045 lm |
| Device power: | 73 W | 73 W | 73 W | 73 W | 73 W |
| Appliance efficiency: | 90 lm/W | 111 lm/W | 127 lm/W | 129 lm/W | 138 lm/W |
| Glare Index Category: | D5 | D4 | D4 | D4 | D4 |

Optical System

| |
|---|
| Source: LED R3 |
| Color Temperature: DWL 1800 K - 4000 K |
| Color Rendering Index (CRI): ≥ 70 |
| Chromatic consistency (SDCM): ≤ 3 |
| Type of optics: LT-63 Asymmetric beam |
| Optical group life: >100.000 h @ Ta 25°C L90B10 |
| Photobiological safety class: EXEMPT GROUP |
| ULOR: 0% |
| DLOR: 100% |
| Light intensity category: G*6 |

Normative References

EN60598-1 / EN60598-2-3 / EN61547 / EN62471, EN55015 / EN61000-3-2 / EN61000-3-3

Installation and maintenance

| |
|---|
| Installation: arm suspension |
| Wiring: pre-wired product with cable and connector |
| Ø power cable: 10 ÷ 14 mm |
| Cable Gland: PG16 |
| Replaceable wiring plate: removable plate |
| Replaceable optical unit: each LED module is replaceable |
| Screen opening: opening by clip, fall block |
| Power supply compartment: independent from the optical system |

Flow adjustment

On request

| | |
|---|---|
| Virtual Midnight Teaching | X |
| Arrangement for Zhaga connector (Book 18) | X |
| Constant flow output (CLO) | X |
| Adjusting 1-10V | X |
| DALI control | X |
| Mains voltage variation | X |
| Power line telemanagement (PLC) | X |
| Wireless remote management | X |
| Provision for motion/light sensors | X |

Materials

| |
|--|
| Body: die-cast aluminium alloy UNI EN AB 47100 (copper content < 1%) |
| Screen: tempered flat glass |
| Lenses: high-transparency PMMA |
| Fixing system: die-cast aluminium alloy UNI EN AB 47100 (copper content < 1%) |
| Seals: expanded anti-age silicone foam |
| Screws: stainless steel AISI 304 |
| Wiring plate: zinc-plated steel |
| Finish: phospho-chromatation treated and polyester powder-coated in 16 phases to increase weather resistance |

Colors

| | |
|-----------------|-------------------------------|
| ■ White RAL9003 | Code: 01TH1D691415DDWL |
|-----------------|-------------------------------|

Mandatory accessories



01TH901C0

C2 Suspension for string
Ø 6-12 mm. Colour: Sablé 100 Noir.

NOTES

*Performance data

The values indicated in this data sheet are nominal values with a tolerance of +/-7%.

Source flux and source efficiency data refer to the LED module without optics; in case you are interested in the performance of the LED module complete with optical system, you must multiply the data reported by the factor 0.9.

General Data

The characteristics of the product listed may be subject to change and must be confirmed when ordering.

In order to promote constant updating of its products, Cariboni Group reserves the right to make changes without prior notice.