

General Features

Description: ceiling / wall / ground-mounted LED product

Insulation class: class III

Rated voltage: 24Vdc

Protection Grade: IP67

Impact protection: IK08

Power Factor: > 0.90

Ambient temperature Ta: -10°C +45°C

Weight: 3.00 kg

Driver: remote (to be ordered separately)

Marks and Certifications: ENEC / CE



Performance Data*

Source flux:	2480 lm
Source power:	14.5 W
Source efficiency:	171 lm/W
Device flux:	1540 lm
Device power:	14.5 W
Appliance efficiency:	106 lm/W
Glare Index Category:	D6

Product Sheet

Rev. 17/01/2023

Trail Ceiling-Mounted

Size: L. 650mm

Color Temperature: 3000 K

Type of optics: simmetrica 75°/95°

06TR2H2395J

Colour: natural anodized aluminium

Optical System

Source: LED

Color Temperature: 3000 K

Color Rendering Index (CRI): ≥ 80 Chromatic consistency (SDCM): ≤ 3

Type of optics: simmetrica 75°/95°

Optical group life: >60.000h @Ta25°C L80B10

Light intensity category: G*6

Normative References

EN60598-1 / EN60598-2-1 / EN60598-2-2 / EN62471

Installation and maintenance

Installation: ceiling / wall / ground (outside or recessed)

Fixing: recessed housing (wall / ground recessed); adjustable brackets / junction box / junction box with adjustable brackets / ceiling-mounted bracket / suspension kit (for outdoor installation)

Wiring: pre-wiring with cable L=1500 mm

Ø power cable: cavo bipolare 2x0,5 mm² e relativo connettore (incluso)**Flow adjustment**

On request

Adjusting 1-10V

X

DALI control

X

Materials

Body: extrusion and further anodization

Diffuser: transparent flat glass (walkable version up to 1000 kg)

Lenses: highly transparent technopolymer lenses

Fixing system: closing heads and fastening accessories made of die-cast aluminium alloy UNI EN AB 47100 (copper content < 1%)

Seals: extruded anti-age silicone

Screws: stainless steel AISI 304

Colors

■ natural anodized aluminium

Code: **06TR2H2395J**

Mandatory accessories



06LL915AB0

Driver
240W-24V IP67



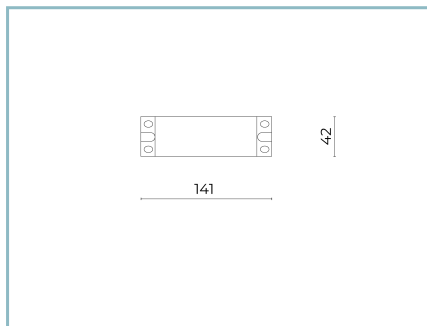
06OT988A0

Wired box TRAIL 650
for wall or ceiling attachment IP65.
Colour: grey RAL9006.



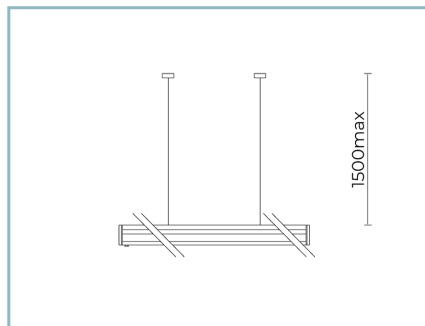
06OT989A0

Wired box TRAIL 1250
for wall or ceiling attachment IP65.
Colour: grey RAL9006.



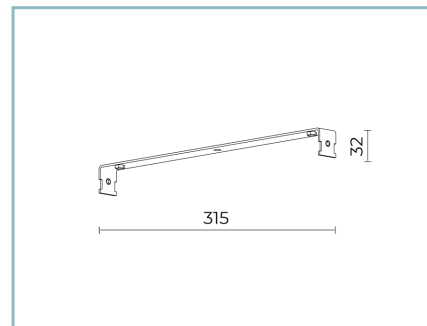
06TA902X0

Driver
60W-24V IP66



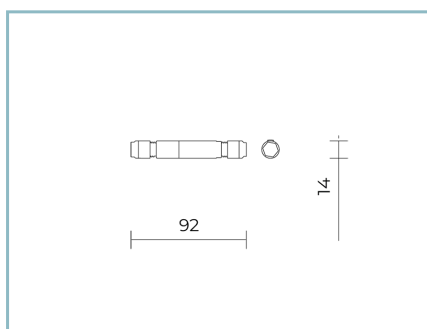
06TR986A0

TRAIL ceiling suspension system
L 1,5 m. Colour: grey RAL9006.



06TR987A0

Ceiling fixing bracket.
Colour: grey RAL9006.



06GC902X0

B165 2-pole connector IP68

Product Sheet

Rev. 17/01/2023

Trail Ceiling-Mounted

Size: L. 650mm

Color Temperature: 3000 K

Type of optics: simmetrica 75°/95°

06TR2H2395JColour: natural anodized
aluminium

NOTES***Performance data**

The values indicated in this data sheet are nominal values with a tolerance of +/-7%.

Source flux and source efficiency data refer to the LED module without optics; in case you are interested in the performance of the LED module complete with optical system, you must multiply the data reported by the factor 0.9.

General Data

The characteristics of the product listed may be subject to change and must be confirmed when ordering.

In order to promote constant updating of its products, Cariboni Group reserves the right to make changes without prior notice.